

Go with the flow.

ALAMARIN

JET 180/185

Manufacturing of the water jet propulsion units since 1976.

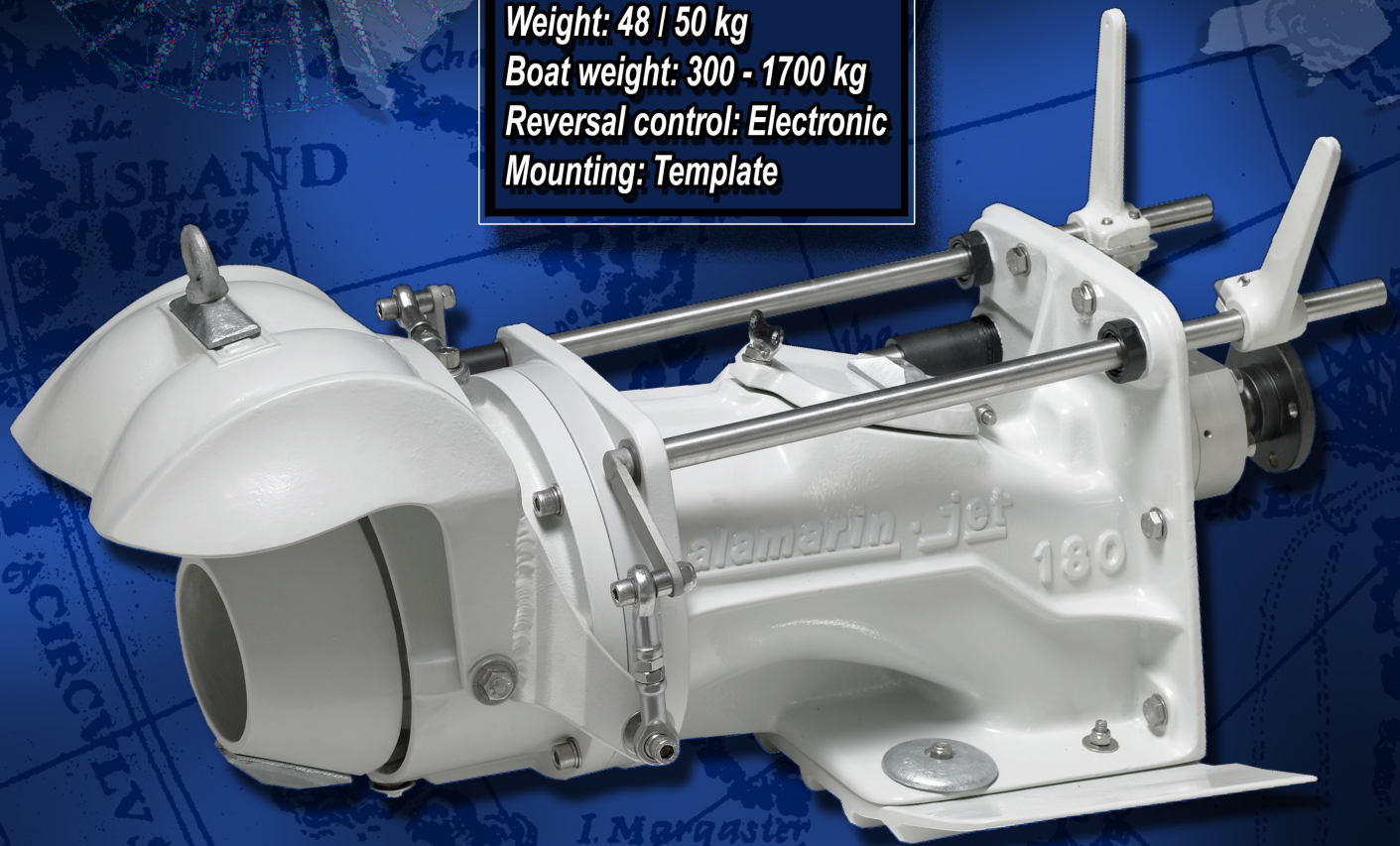
JET 180/185

Weight: 48 / 50 kg

Boat weight: 300 - 1700 kg

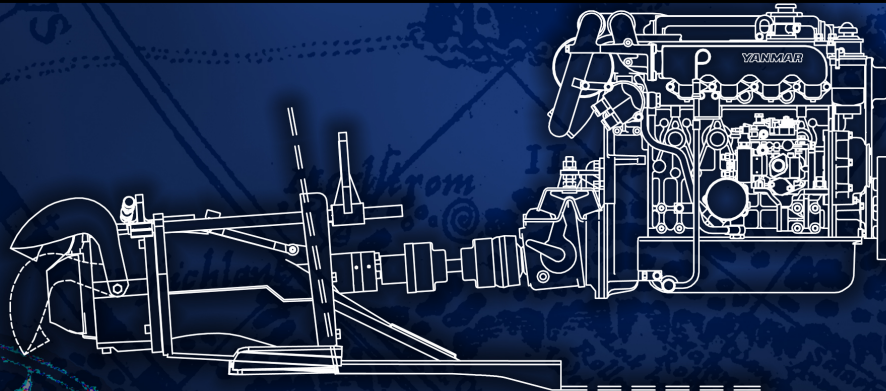
Reversal control: Electronic

Mounting: Template



ALAMARINJET 180/185

Model	Gasoline Engines		Diesel Engines	
	Power range	RPM area (rec. max.)	Power range	RPM area (rec. max.)
Alamarin Jet 180	29 - 110 kW	3600 - 5000	max. 75 kW	3600 - 4500
Alamarin Jet 185	29 - 120 kW	3600 - 5000	max. 93 kW	3300 - 4500



0 500 1000 1500 2000

alamarinjet

Alamarin-Jet Oy - FI-62300 Härmä - Finland
Tel. 00-358-10 774 5260 - Fax. 00-358-10 774 5269

E-mail: sales@alamarinjet.com

www.alamarin-jet.com