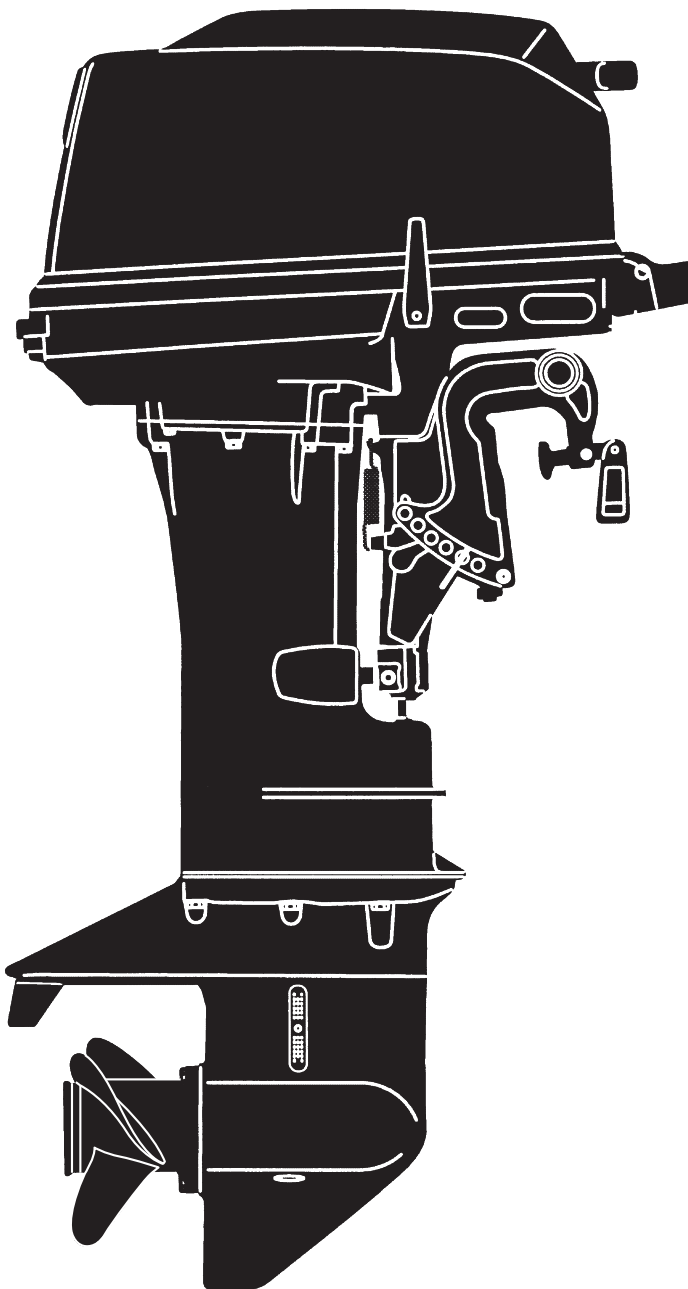


# 2013 PARTS CATALOG

 TOHATSU



## M 40C

Serial Number 00001AC~

OB NO.002-21035-7  
1301

# HOW TO USE THIS PARTS CATALOG

1. This Parts Catalog provides information available as of the end of January 2013.
2. Please keep the Parts Catalog updated each time when receiving the Service Bulletin describing the addition, abolition and/or change of parts.
3. Actual shapes of parts may be different from the illustrations shown in this Parts Catalog because they are described only as a guide for searching parts.
4. One illustration is given more than one article number. Please confirm the sub-number, applicable model and remarks before ordering parts.

Applicable model

Ref.No.	Part No.	Description	Q'ty	Remarks
8-1	1 345Q61020-2	DRIVE SHAFT HOUSING (S)	1	for Transom "S"
8-1	2 361Q61030-1	DRIVE SHAFT HOUSING (L)	1	for Transom "L"
8-2	345-01111-0	DOWEL PIN 6-12	2	
8-3	345-61012-1	DRIVE SHAFT HOUSING GASKET	1	
8-4	1 9161E3-0885	BOLT	7	for Transom "S"
8-4	2 9161E3-0885	BOLT	8	for Transom "L"

5. Given mark in (\*) to part number shows assembly or kit part.

6. Marks in this Parts Catalog show.

STD	: Standard	OPT	: Optional Parts
O/S	: Over size	ASSY	: Assembly
DO	: Domestic Model	EX	: Export Model
A	: As required	EU	: European Union

7. Attention to order

Please order painted parts in accordance with following.

The parts that fourth figure of the parts number is (B), (Q) have painted.

Present coloring of power head is black (B) and lower unit is aqua marine blue (Q).

[Example]

ENGINE SHORT BLOCK KIT      LOWER UNIT ASSY (L)

3C1B87090-5

361Q87302-1

B: Black

Q: Aquamarine Blue

8. About dimensional identification of bolts, nuts and washers.

BOLT

916129 - 0850

└─── Length below neck  
└─── Diameter

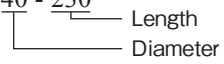
NUTS & WASHERS 940121 - 0800

└─── Diameter

9. Hose, that is a standard part, is replaced with long hose.

HOSE

98AL - 40 - 230



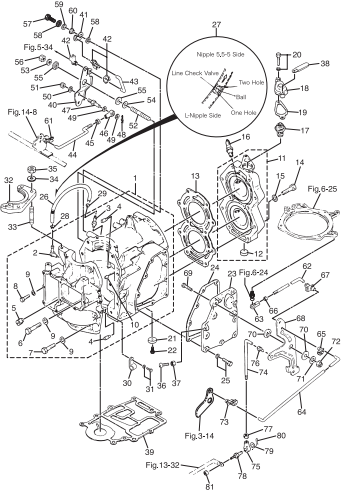
HOSE/PIPE

Fig No	Part No.	Description	Bulk part No.	Bulk part	
				Inner Diameter (mm)	Length (m)
1-26	98AL-40-230	HOSE	98AL-401000	4	1
3-35	98AB-50-160	HOSE	98AB-501000	5	1
3-36	98AB-50-270	HOSE	98AB-501000	5	1
3-37	98AB-50-210	HOSE	98AB-501000	5	1
17-6	98AB-70-700	HOSE	98AB-701000	7	1
17-7	98AB-701600	HOSE	98AB-701000 x2	7	1

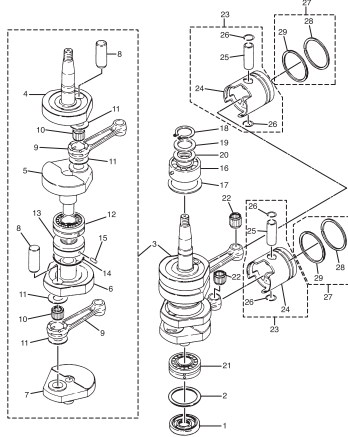
## CONTENTS

Fig. 1	CYLINDER • CRANK CASE	1
Fig. 2	PISTON • CRANK SHAFT	7
Fig. 3	INTAKE MANIFOLD • FUEL PUMP	11
Fig. 4	CARBURETOR	15
Fig. 5	RECOIL STARTER	17
Fig. 6	MAGNETO	21
Fig. 7	ELECTRIC PARTS	25
Fig. 8	DRIVE SHAFT HOUSING	29
Fig. 9	GEAR CASE (DRIVE SHAFT)	31
Fig. 10	GEAR CASE (PROPELLER SHAFT)	35
Fig. 11	BRACKET	39
Fig. 12	TILLER HANDLE	45
Fig. 13	BOTTOM COWL	47
Fig. 14	SHIFT	51
Fig. 15	REMOTE CONTROL PARTS	53
Fig. 16	TOP COWL	55
Fig. 17	FUEL TANK	57
Fig. 18	COMPONENT PARTS OF REMOTE CONTROL	59
Fig. 19	COMPONENT PARTS OF REMOTE CONTROL (ELECTRIC PARTS)	63
Fig. 20	OPTIONAL PARTS • ACCESSORIES (1)	65
Fig. 21	OPTIONAL PARTS • ACCESSORIES (2)	69
Fig. 22	ASSEMBLY • KIT PARTS	71
	INDEX	83
	INDEX (Parts Number)	87

**Fig. 1 CYLINDER · CRANK CASE**

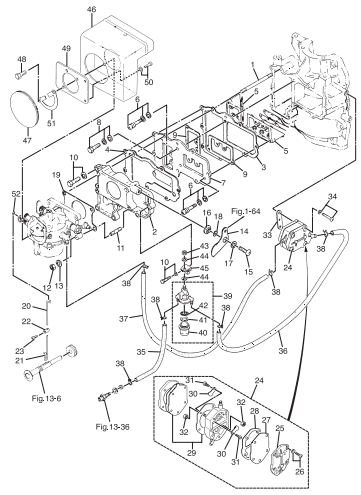


**Fig. 2 PISTON · CRANK SHAFT**

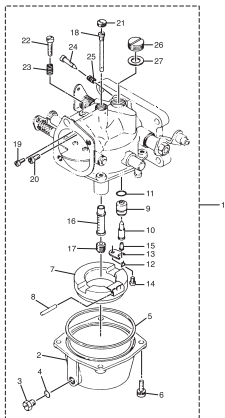


(REMARKS) CRANK SHAFT ASSY ..... Very difficult to assemble. The component parts should be purchased as an assy block.

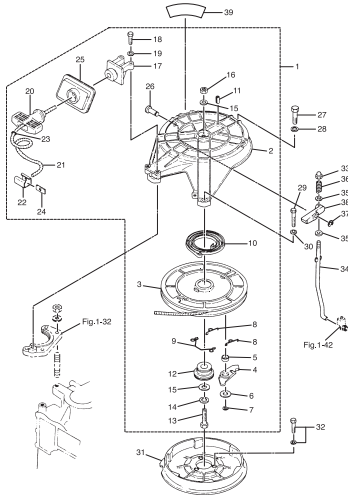
**Fig. 3 INTAKE MANIFOLD · FUEL PUMP**



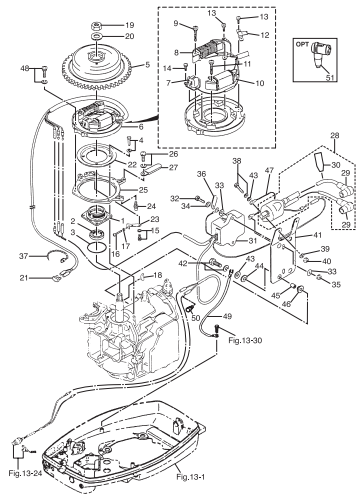
**Fig. 4 CARBURETOR**



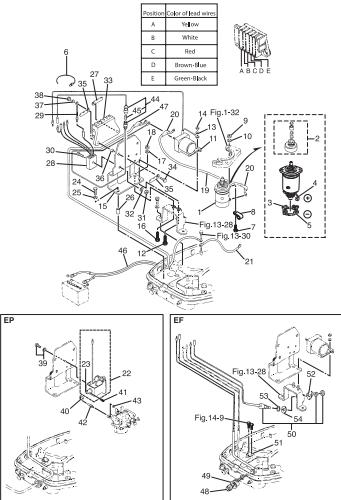
**Fig. 5 RECOIL STARTER**



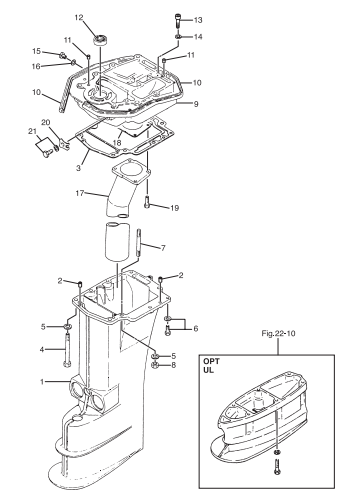
**Fig. 6 MAGNETO**



**Fig. 7 ELECTRIC PARTS**



**Fig. 8 DRIVE SHAFT HOUSING**



**Fig. 9 GEAR CASE (DRIVE SHAFT)**

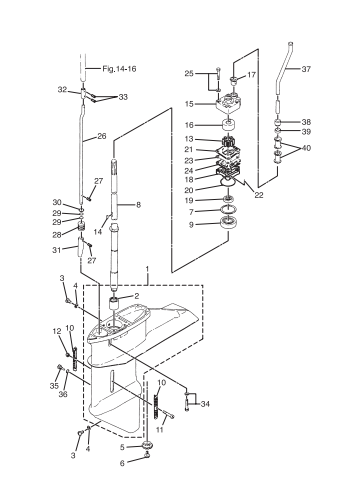


Fig.10 GEAR CASE (PROPELLER SHAFT)

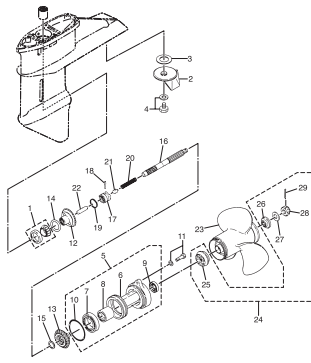


Fig.11 BRACKET

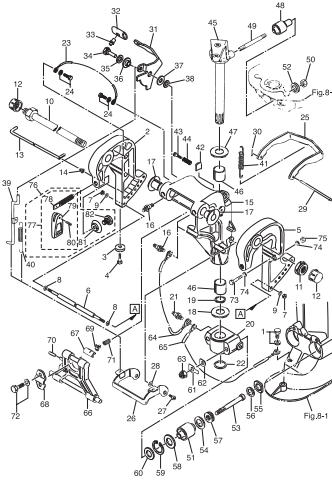


Fig.12 TILLER HANDLE

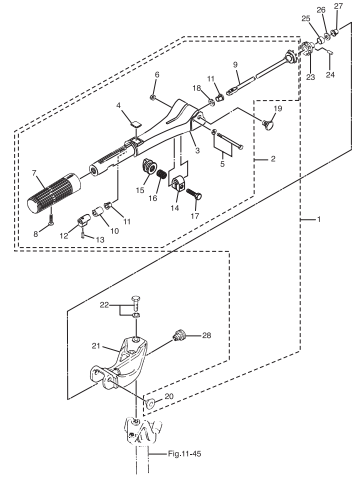


Fig.13 BOTTOM COWL

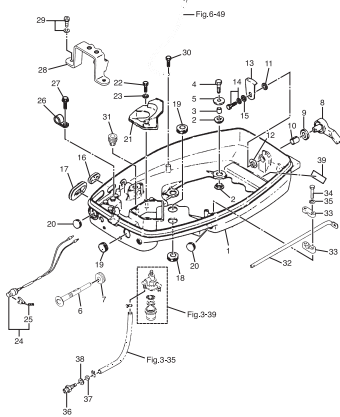


Fig.14 SHIFT

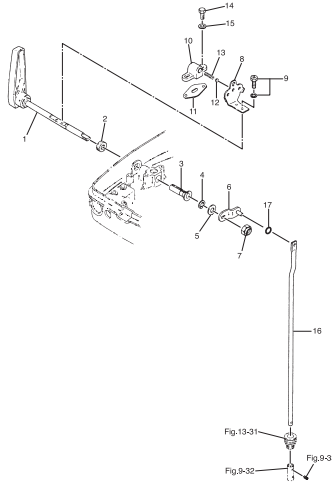


Fig.15 REMOTE CONTROL PARTS

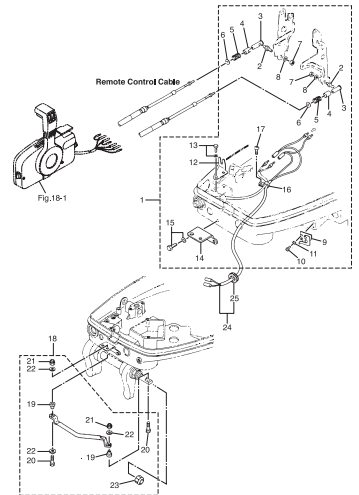


Fig.16 TOP COWL

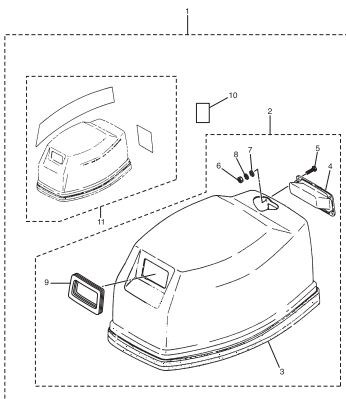


Fig.17 FUEL TANK

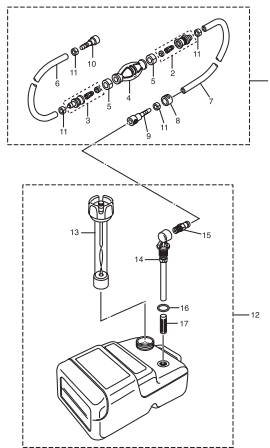
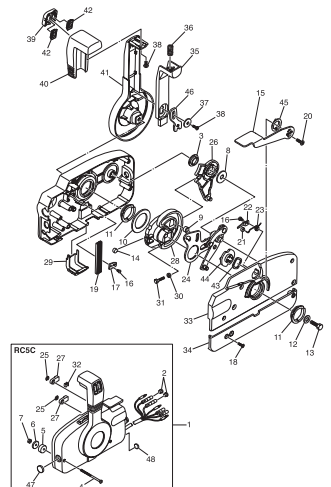
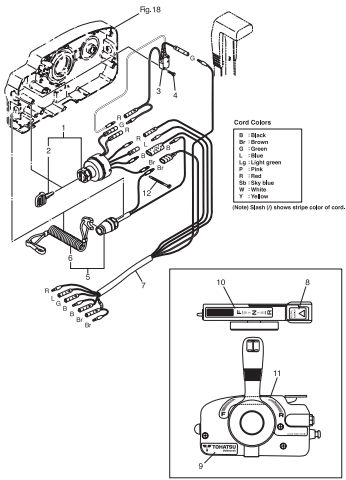


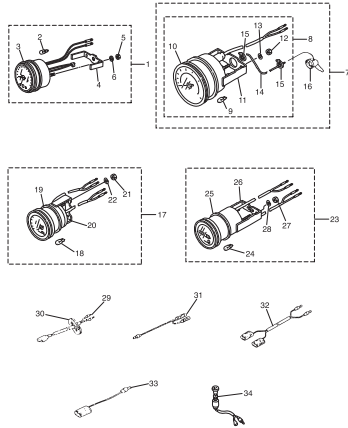
Fig.18 COMPONENT PARTS OF REMOTE CONTROL



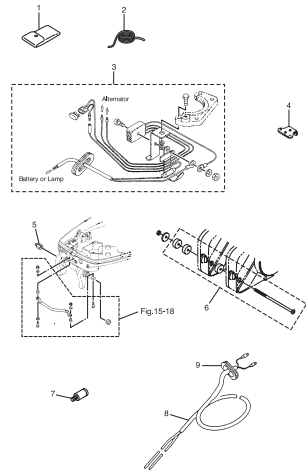
**Fig. 19 COMPONENT PARTS OF REMOTE CONTROL (ELECTRIC PARTS)**



**Fig. 20 OPTIONAL PARTS • ACCESSORIES (1)**



**Fig. 21 OPTIONAL PARTS • ACCESSORIES (2)**



**Fig. 22 ASSEMBLY • KIT PARTS**

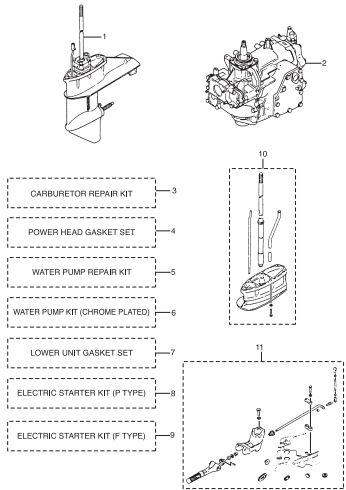
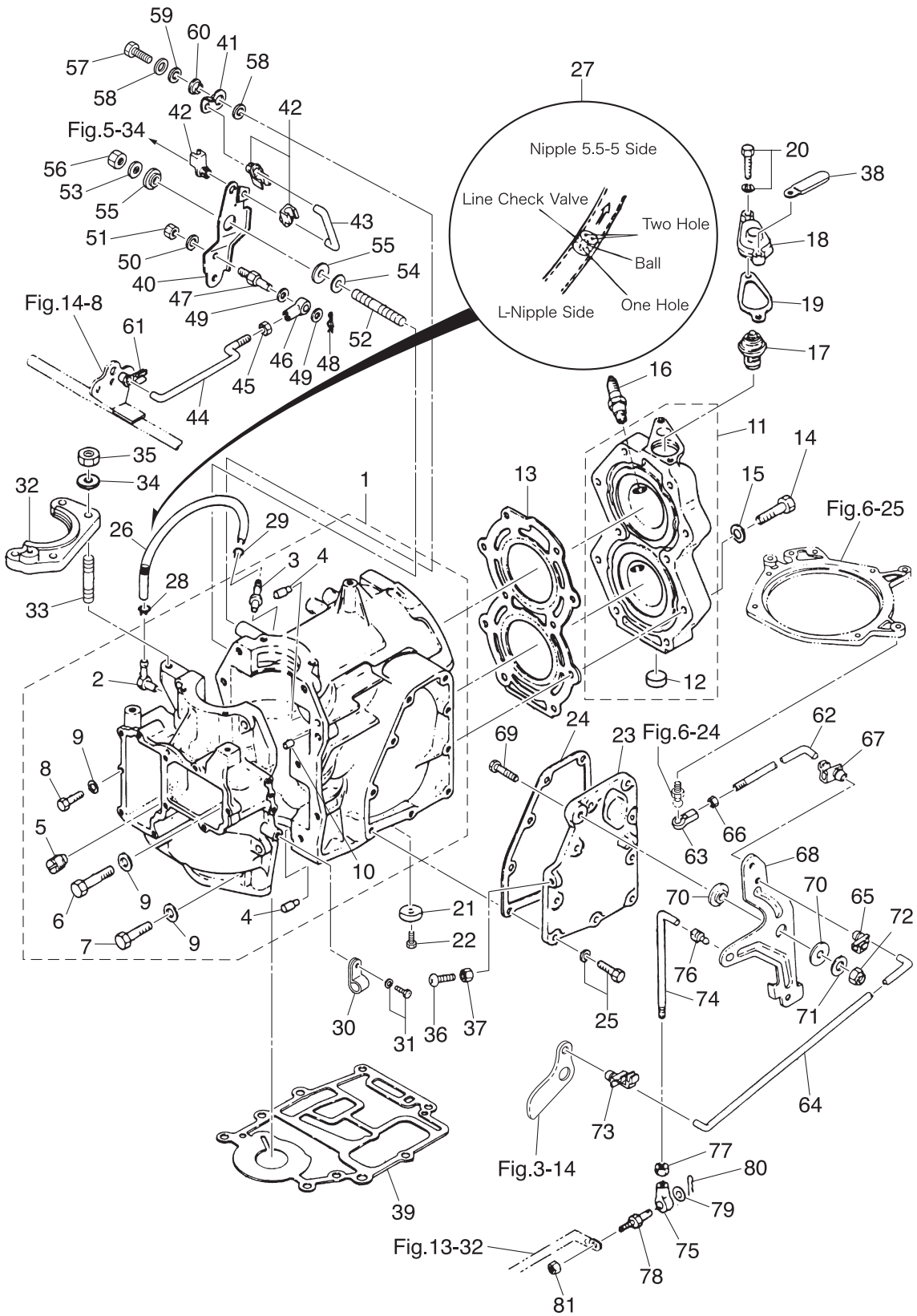


Fig. 1

CYLINDER · CRANK CASE

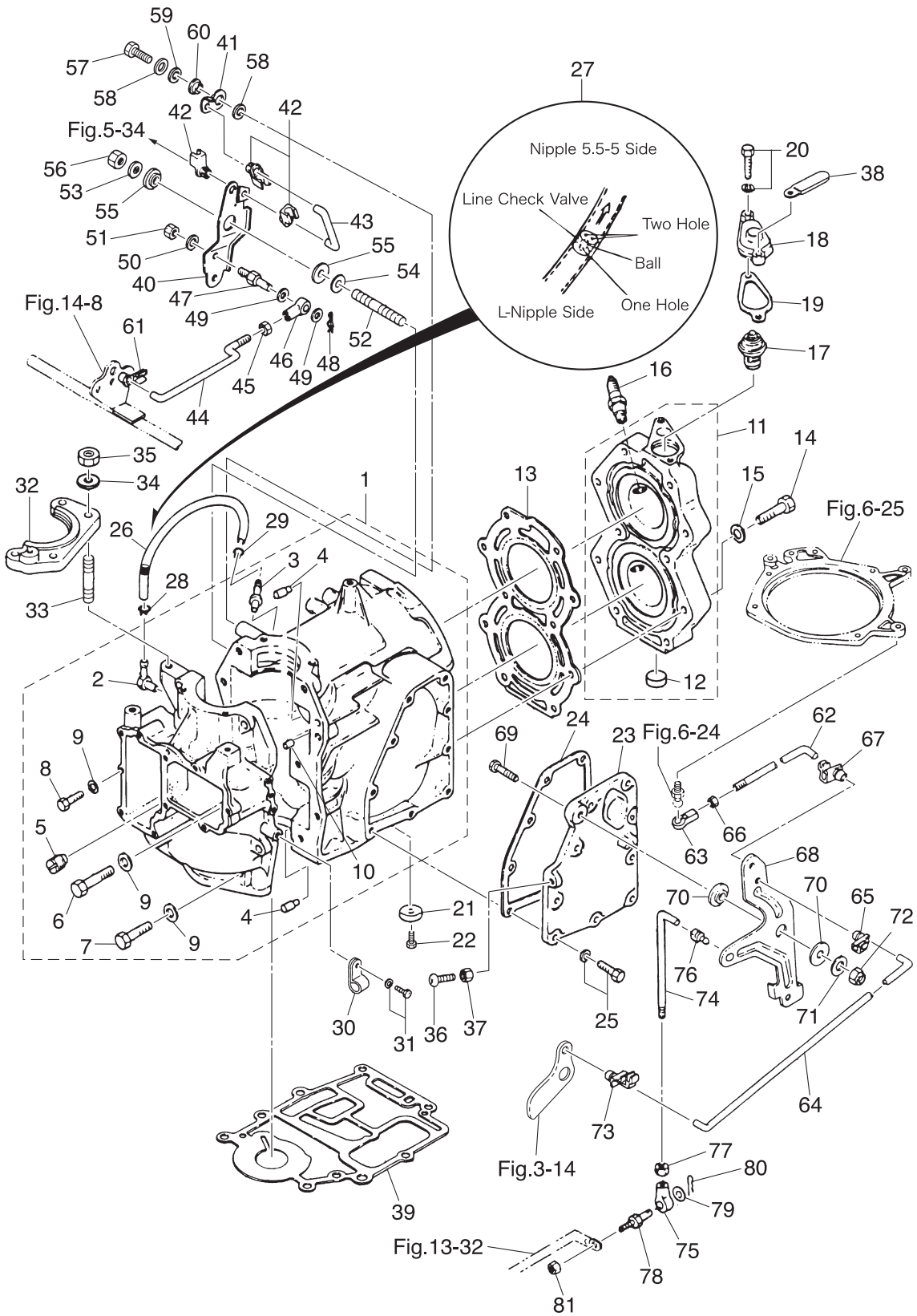




Ref.No.	Part No.	Description	Q' ty	Remarks
			M40C	
1-1	361B01100-2	CYL BLOCK & CRANKCASE ASSY	1	
1-2	393-01137-0	* NIPPLE	1	
1-3	393-01131-0	* NIPPLE 5.5-5	1	
1-4	345-00117-0	* DOWEL PIN	2	Bearing
1-5	345-01150-1	* CHECK VALVE ASSY	1	
1-6	916129-0850	* BOLT	1	
1-7	916124-0840	* BOLT	8	
1-8	9161F4-0835	* BOLT	1	
1-9	940121-0800	* WASHER	10	
1-10	345-01111-0	* DOWEL PIN 6-12	2	
1-11	361B01001-1	CYLINDER HEAD ASSY	1	
1-12	350-01093-0	* WELCH PLUG	1	
1-13	345-01005-1	CYLINDER HEAD GASKET	1	
1-14	9161F9-0845	BOLT	10	
1-15	345-01015-0	WASHER 8.5-19.5-3.2	10	
1-16	9701-1-1015	SPARK PLUG (BR7HS10)	2	NGK
1-17	345-01030-0	THERMOSTAT	1	Mark 52A PRV
1-18	3H6B01031-0	THERMOSTAT CAP	1	
1-19	346-01032-0	THERMOSTAT CAP GASKET	1	
1-20	9101F4-5630	BOLT	2	
1-21	338-60218-2	ANODE	1	
1-22	910103-0616	BOLT	1	
1-23	345B02301-2	EXHAUST COVER (OUTER)	1	
1-24	345-02305-1	EXHAUST COVER GASKET	1	
1-25	9101F4-5620	BOLT	9	
1-26	98AL-40-230	HOSE	1	98AL-401000
1-27	393-01160-0	CHECK VALVE	1	
1-28	3T5-01133-0	CLIP $\phi$ 8	1	
1-29	338-01133-0	CLIP $\phi$ 7	1	

Fig. 1

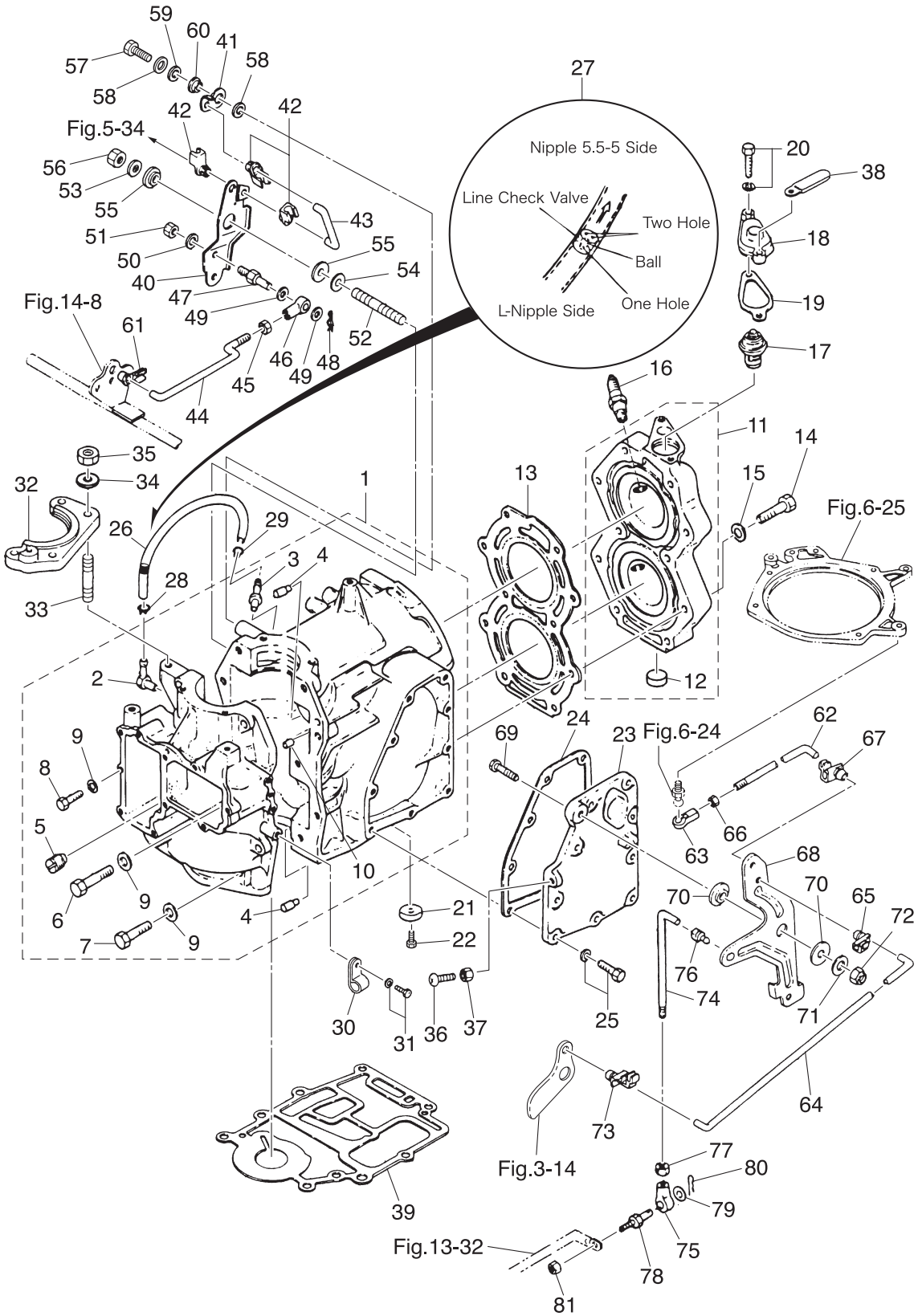
CYLINDER · CRANK CASE



Ref.No.	Part No.	Description	Q' ty	Remarks
			M40C	
1-30	336-06973-0	CLAMP 6-9.5L	1	
1-31	910103-6612	BOLT	1	
1-32	345B05101-0	BRACKET	1	
1-33	915324-0825	STUD	2	
1-34	940121-0800	WASHER	2	
1-35	930121-0800	NUT	2	
1-36	921503-0520	SCREW	1	
1-37	930103-0500	NUT	1	
1-38	309-06972-0	CLAMP 6.5-47.5P	1	
1-39	345-01303-1	ENGINE BASEMENT GASKET	1	
1-40	361-05211-0	STARTER LOCK ARM	1	
1-41	345-05213-0	THROTTLE LIMITER ARM	1	
1-42	345-05223-1	ROD SNAP 3.5-2	3	
1-43	345-05221-1	THROTTLE LIMITER ROD	1	
1-44	345-05222-1	STARTER LOCK ROD	1	
1-45	930103-0500	NUT	2	
1-46	346-05234-0	ROD JOINT $\phi$ 5	1	
1-47	353-83728-1	PIN	1	
1-48	951603-0800	SNAP PIN d=8	1	
1-49	3AA-83719-0	WASHER 8.5-18-1.6	2	
1-50	941303-0600	SPRING WASHER	1	
1-51	930103-0600	NUT	1	
1-52	915324-0825	STUD	1	
1-53	940103-0800	WASHER	1	
1-54	345-01015-0	WASHER 8.5-19.5-3.2	1	
1-55	345-63713-0	BUSHING 8-14-4	2	
1-56	930403-0800	NYLON NUT 8-P1.25	1	
1-57	9101F4-0620	BOLT	1	
1-58	940103-0600	WASHER	2	

Fig. 1

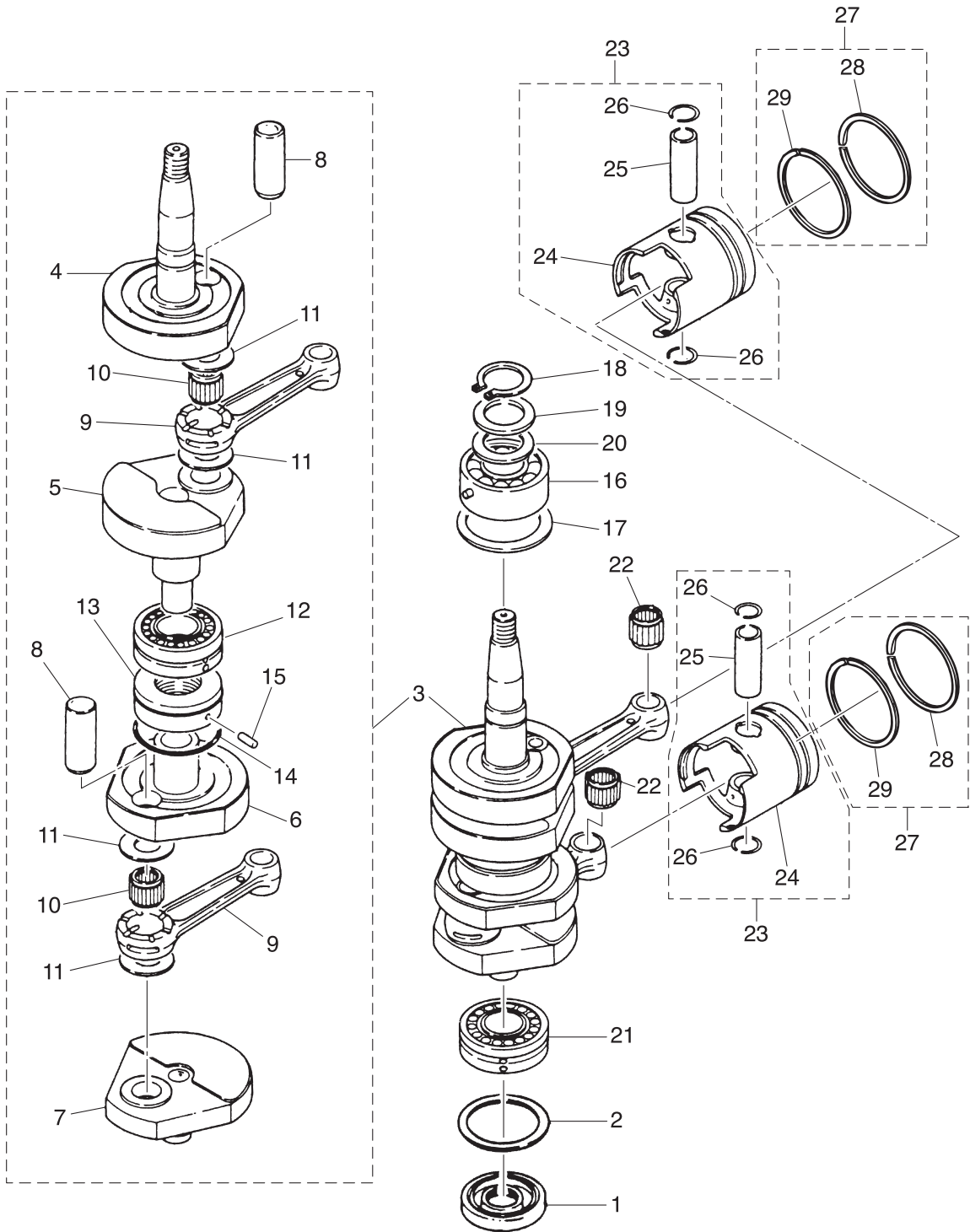
CYLINDER · CRANK CASE



Ref.No.	Part No.	Description	Q'ty	Remarks
			M40C	
1-59	941403-1000	WAVE WASHER d=10	1	
1-60	346-63721-0	BUSHING 6.2-16-5	1	
1-61	345-05224-0	ROD SNAP 5-2.5	1	
1-62	348-63715-1	ROD 5-75L	1	
1-63	3B7-05243-0	BALL JOINT CONNECTOR	1	
1-64	348-63716-1	THROTTLE ROD	1	
1-65	345-05223-1	ROD SNAP 3.5-2	1	
1-66	930103-0500	NUT	1	
1-67	3B7-63733-0	ROD SNAP 5-2.5	1	
1-68	348-63711-1	ADVANCER ARM	1	
1-69	910121-0840	BOLT	1	
1-70	345-63713-0	BUSHING 8-14-4	2	
1-71	334-66233-0	WASHER 8.1-16-1.5	1	
1-72	930403-0800	NYLON NUT 8-P1.25	1	
1-73	345-05223-1	ROD SNAP 3.5-2	1	
1-74	348-63715-1	ROD 5-75L	1	for MF/EF
1-75	346-05234-0	ROD JOINT $\phi$ 5	1	for MF/EF
1-76	3B7-63733-0	ROD SNAP 5-2.5	1	for MF/EF
1-77	930103-0500	NUT	1	for MF/EF
1-78	361-83728-0	PIN	1	for MF/EF
1-79	3AA-83719-0	WASHER 8.5-18-1.6	1	for MF/EF
1-80	951603-0800	SNAP PIN d=8	1	for MF/EF
1-81	930103-0600	NUT	1	for MF/EF

Fig. 2

PISTON • CRANK SHAFT



(REMARKS) CRANK SHAFT ASSY ..... Very difficult to assemble. The component parts should be purchased as an assy basically.

Ref.No.	Part No.	Description	Q' ty	Remarks
			M40C	
2-1	345-00122-0	OIL SEAL 25-55-10	1	
2-2	345-00125-0	RETAINER 50-60-1.6	1	
2-3	361-00069-1	CRANKSHAFT SUB-ASSY	1	
2-4	361-00031-0	* CRANKSHAFT A	1	
2-5	348-00032-0	* CRANKSHAFT B	1	
2-6	348-00033-0	* CRANKSHAFT C	1	
2-7	348-00034-0	* CRANKSHAFT D	1	
2-8	348-00061-1	* CRANK PIN	2	
2-9	345-00040-1	* CONNECTING ROD	2	
2-10	345-00043-0	* ROLLER BEARING 25-32-20	2	
2-11	345-00045-0	* BIG END BEARING WASHER	4	
2-12	345-00114-0	* MAIN BEARING 355520	1	Center
2-13	345-00051-0	* LABYRINTH PACKING	1	
2-14	345-00053-0	* O-RING 2-49.5	1	
2-15	951407-0306	* SPRING PIN 3-6	1	
2-16	345-00113-0	MAIN BEARING 5206	1	Upper
2-17	345-00115-0	RETAINER 56-66-1.6	1	
2-18	945107-3000	C-RING d=30	1	
2-19	345-00116-0	SPACER 30.2-40-2.3	1	
2-20	345-00141-0	SHIM 31-42	A	
2-21	345-00114-0	MAIN BEARING 355520	1	Lower
2-22	345-00042-0	ROLLER BEARING 17-21-27	2	
2-23	1 3C1-87130-0	PISTON REPAIR KIT	2	STD
2-23	2 3C1-87131-0	PISTON REPAIR KIT (0.5 O/S)	2	OPT
2-24	1 361-00001-1	* PISTON	1	STD
2-24	2 361-00004-1	* PISTON (0.5 O/S)	1	OPT
2-25	345-00021-1	* PISTON PIN	1	
2-26	334-00024-1	* PISTON PIN CLIP	2	
2-27	1 3C1-87123-0	PISTON RING SET	2	STD

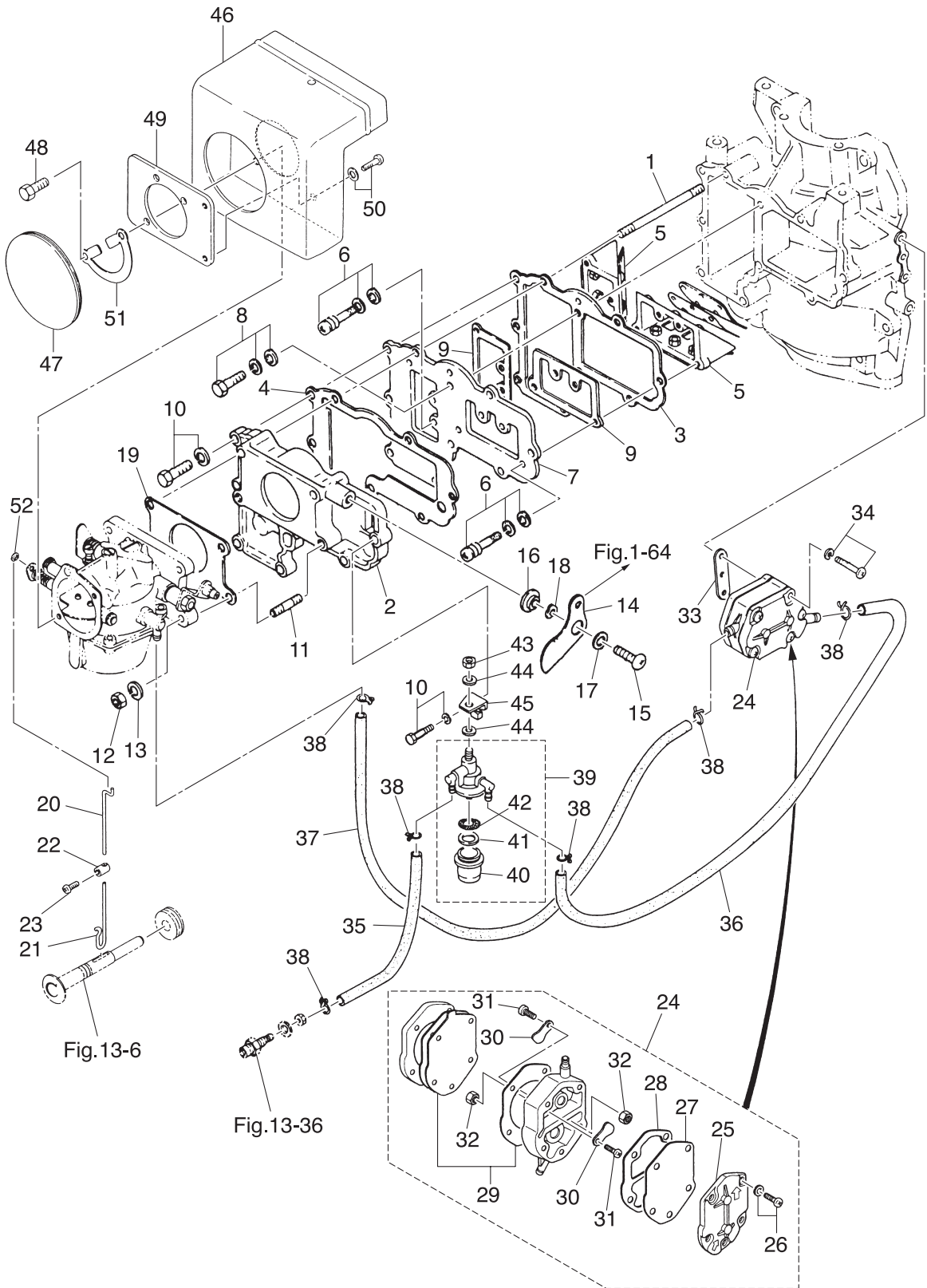






Fig. 3

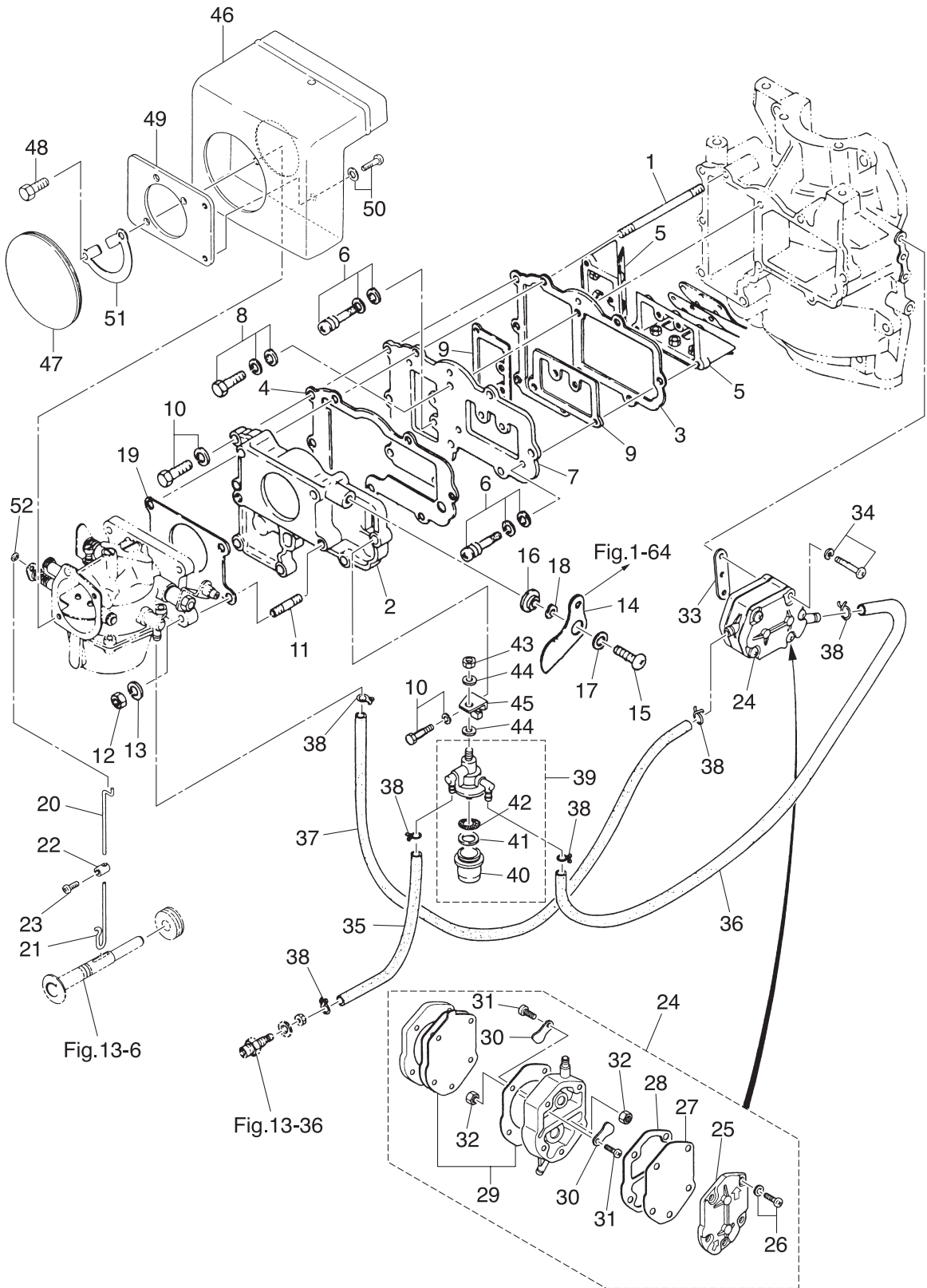
INTAKE MANIFOLD · FUEL PUMP



Ref.No.	Part No.	Description	Q' ty	Remarks
			M40C	
3-1	915321-0655	STUD	2	
3-2	345B02010-0	INTAKE MANIFOLD	1	
3-3	345-02104-0	INTAKE MANIFOLD GASKET	1	
3-4	345-02105-0	INTAKE MANIFOLD GASKET	1	
3-5	345-02100-1	REED VALVE ASSY	1	
3-6	921521-7412	SCREW	8	
3-7	345-02106-0	PLATE	1	
3-8	910121-7620	BOLT	1	
3-9	345-02103-0	REED VALVE SEAT GASKET	2	
3-10	9101F4-5630	BOLT	7	
3-11	915321-0620	STUD	2	
3-12	930103-0600	NUT	4	
3-13	941303-0600	SPRING WASHER	4	
3-14	348-63718-0	THROTTLE CAM	1	
3-15	921503-0616	SCREW	1	
3-16	346-63721-0	BUSHING 6.2-16-5	1	
3-17	3C8-66308-0	WASHER 6-16-1.5	1	
3-18	941403-1000	WAVE WASHER d=10	1	
3-19	345-02011-3	CARBURETOR GASKET	1	
3-20	345-67191-1	CHOKE ROD	1	
3-21	345-67192-0	CHOKE ROD	1	
3-22	345-67194-0	CHOKE ROD CONNECTER	1	
3-23	921503-0408	SCREW	1	
3-24	356-04000-1	FUEL PUMP ASSY	1	
3-25	334-04004-0	* PUMP COVER	1	
3-26	9225F2-6528	* SCREW	3	
3-27	334-04005-0	* PUMP DIAPHRAGM	1	
3-28	334-04007-0	* DIAPHRAGM GASKET	1	
3-29	356-04030-0	* DIAPHRAGM GASKET SET	1	

Fig. 3

INTAKE MANIFOLD · FUEL PUMP



Ref.No.	Part No.	Description	Q' ty	Remarks
			M40C	
3-30	356-04044-0	* CHECK VALVE	2	
3-31	921722-0306	* SCREW	2	
3-32	930222-0300	* NUT	2	
3-33	346-04901-2	GASKET	1	Fuel Pump
3-34	921503-6640	SCREW	2	
3-35	98AB-50-160	HOSE	1	F/Connector-Fuel Filter 98AB-501000
3-36	98AB-50-270	HOSE	1	Fuel Filter-Fuel Pump 98AB-501000
3-37	98AB-50-210	HOSE	1	Fuel Pump-Carburetor 98AB-501000
3-38	338-02215-0	CLIP $\phi$ 10	6	
3-39	346-02230-0	FUEL FILTER ASSY	1	
3-40	346-02237-0	* CUP	1	
3-41	346-02235-0	* GASKET	1	
3-42	346-02234-0	* FILTER	1	
3-43	930103-0800	NUT	1	
3-44	940103-0800	WASHER	2	
3-45	348-02231-0	PLATE	1	
3-46	345-02411-0	INTAKE SILENCER	1	
3-47	345-02415-0	INTAKE SILENCER COVER	1	
3-48	9101F4-0616	BOLT	2	
3-49	345-02416-0	INTAKE SILENCER PLATE	1	
3-50	921503-5508	SCREW	2	
3-51	345-02417-1	INTAKE SILENCER LOCK PLATE	1	
3-52	345-67195-1	BUSHING	1	



Ref.No.	Part No.	Description	Q' ty	Remarks
			M40C	
4-1	345-03200-0	CARBURETOR ASSY	1	
4-2	336-03221-0	* FLOAT CHAMBER	1	
4-3	345-03292-0	* DRAIN SCREW	1	
4-4	336-03293-0	* O-RING	1	
4-5	336-03222-0	* FLOAT CHAMBER O-RING 1.9-64	1	
4-6	922503-6412	* SCREW	4	
4-7	334-03231-1	* FLOAT	1	
4-8	334-03232-0	* FLOAT ARM PIN	1	
4-9	345-03240-0	* FLOAT VALVE	1	
4-10	3B7-03240-0	* FLOAT VALVE	1	
4-11	345-03243-0	* O-RING 1.3-5.7	1	
4-12	344-03244-0	* CLIP	1	
4-13	334-03241-0	* CLIP PLATE	1	
4-14	921521-0406	* SCREW	1	
4-15	334-03242-0	* VALVE PIN	1	
4-16	345-03252-0	* MAIN NOZZLE	1	
4-17	345-03251-1	* MAIN JET (#220)	1	
4-18	345-03254-0	* SLOW JET (#110)	1	
4-19	345-03253-0	* MAIN AIR JET (#120)	1	
4-20	345-03255-0	* PILOT AIR JET (#120)	1	
4-21	345-03261-0	* PLUG SCREW	1	
4-22	346-03265-0	* STOP SCREW	1	
4-23	346-03267-0	* SPRING	1	
4-24	345-03266-0	* PILOT SCREW	1	
4-25	346-03268-0	* SPRING	1	
4-26	345-03263-0	* PLUG SCREW	1	
4-27	345-03262-0	* PLUG SCREW WASHER	1	





Ref.No.	Part No.	Description	Q' ty	Remarks
			M40C	
5-1	361-05000-1	RECOIL STARTER ASSY	1	
5-2	345-05105-1	* STARTER CASE	1	
5-3	345-05104-1	* REEL ASSY	1	
5-4	345-05003-1	* RATCHET	1	
5-5	345-05135-1	* BUSHING 14.7-15.9-6	1	
5-6	345-05122-1	* WASHER 6.5-23-1.5	1	
5-7	945303-0500	* E-RING d=5	1	
5-8	345-05123-1	* RETURN SPRING	2	
5-9	345-05124-0	* RETURN SPRING	1	
5-10	345-05004-1	* STARTER SPRING	1	
5-11	951403-0316	* SPRING PIN 3-16	1	
5-12	345-05132-0	* STARTER SHAFT	1	
5-13	9101F4-0830	* BOLT	1	
5-14	941322-0800	* SPRING WASHER	2	
5-15	940121-0800	* WASHER	2	
5-16	930103-0800	* NUT	1	
5-17	336-05014-0	* ROPE GUIDE	1	
5-18	9101F4-0625	* BOLT	2	
5-19	941303-0600	* SPRING WASHER	2	
5-20	338-05019-0	* STARTER HANDLE	1	
5-21	345-05013-1	* STARTER ROPE $\phi$ 5-2000	1	
5-22	338-05131-0	* ROPE ANCHOR	1	
5-23	350-05136-0	* O-RING 2.5-4.5	1	
5-24	345-05134-0	* ROPE ANCHOR PLATE	1	
5-25	344-05116-0	* SEALING PLATE	1	
5-26	345-05225-1	* STARTER LOCK LEVER SHAFT	1	
5-27	9101F4-0830	BOLT	1	
5-28	941303-0800	SPRING WASHER	1	
5-29	9101F4-0625	BOLT	2	

Fig. 5

RECOIL STARTER

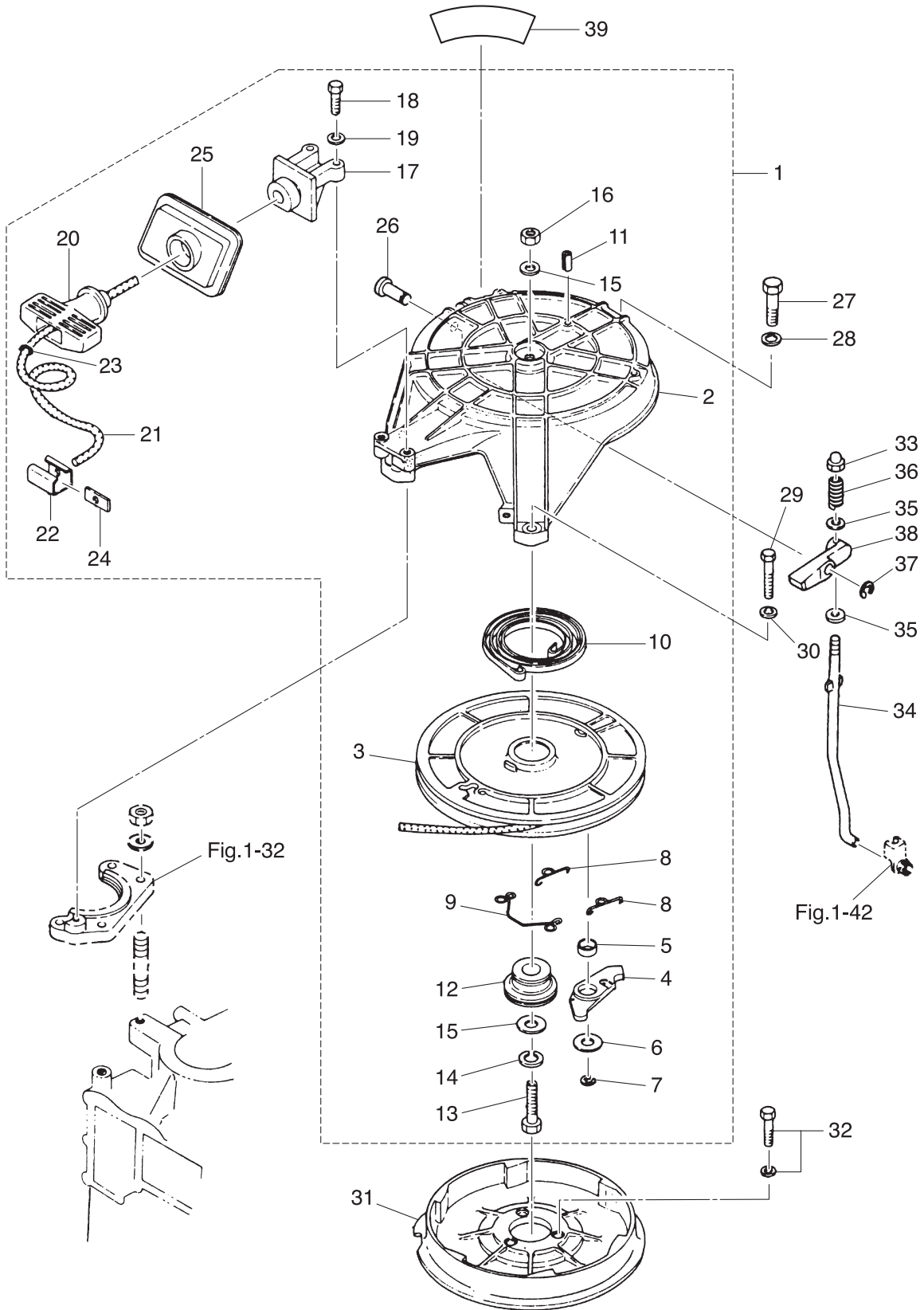
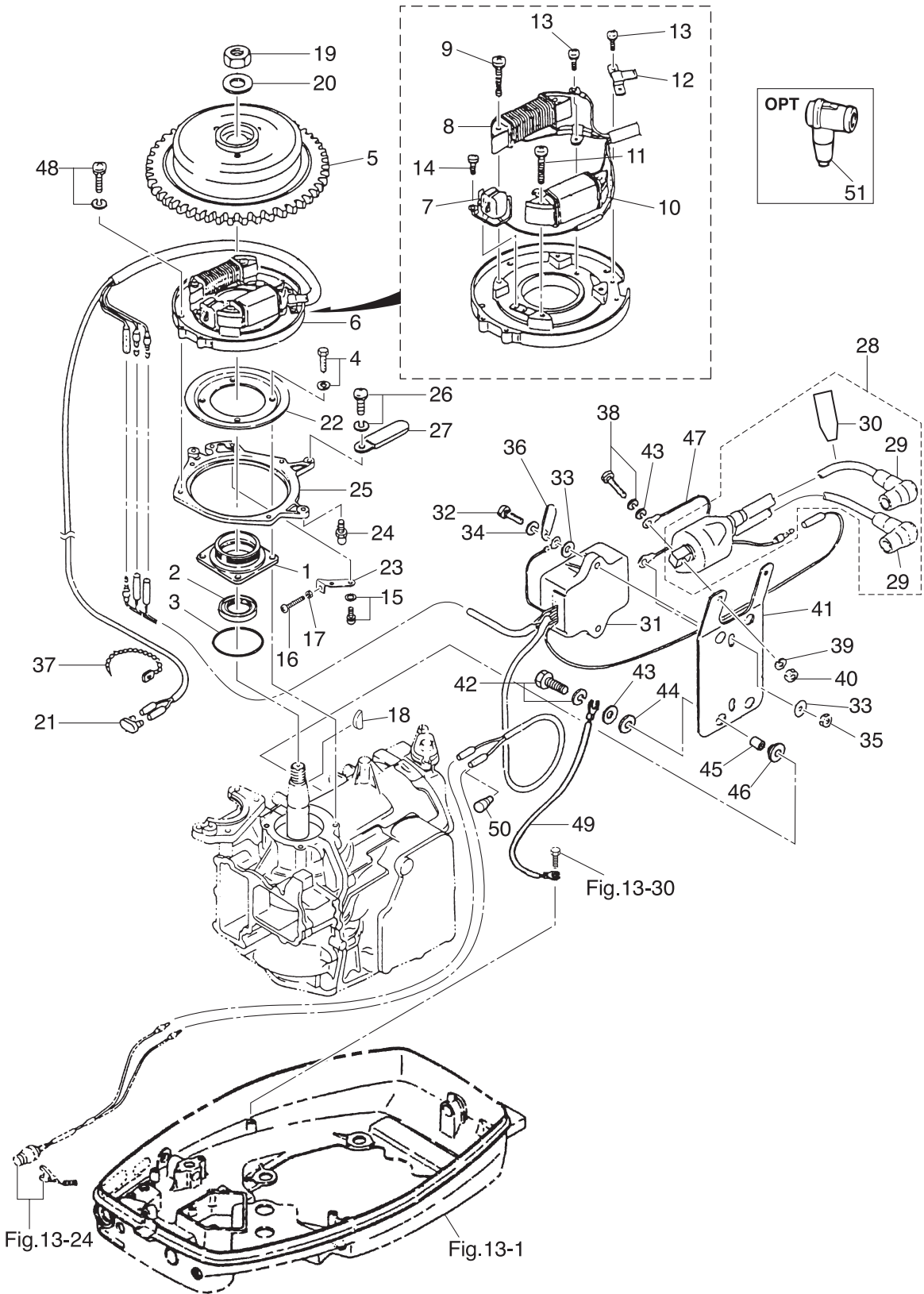




Fig. 6

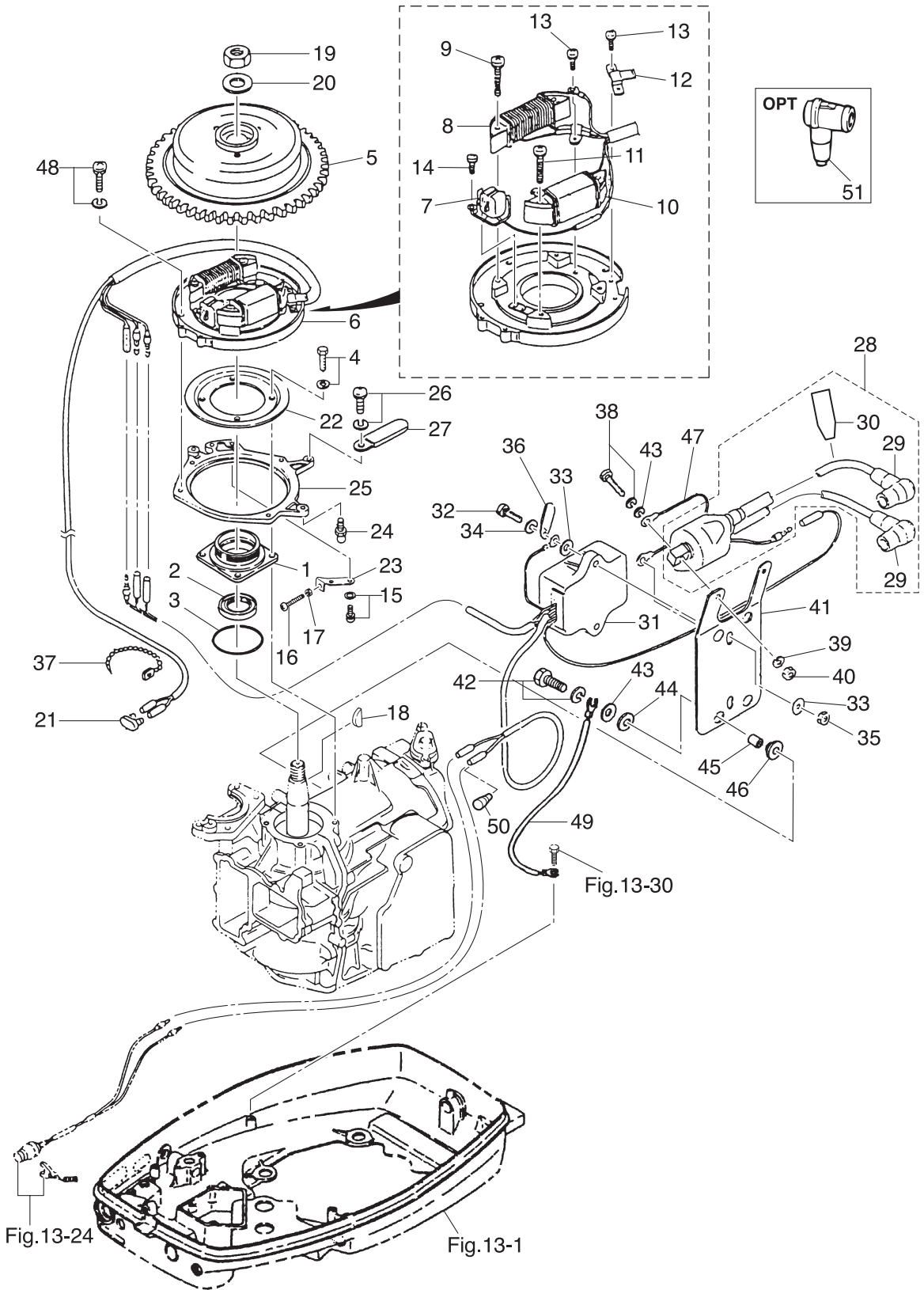
MAGNETO



Ref.No.	Part No.	Description	Q' ty	Remarks
			M40C	
6-1	345-01401-0	MAGNETO BASEMENT	1	
6-2	126-00121-0	OIL SEAL 30-45-8	1	
6-3	338-01403-0	O-RING 2-55.5	1	
6-4	910121-6620	BOLT	4	
6-5	361-06091-0	FLYWHEEL W/GEAR	1	FP5506
6-6	3A0-06002-0	COIL PLATE ASSY W/ALTERNATOR	1	
6-7	3G2-06022-0	* PULSAR COIL	1	
6-8	3A0-06023-0	* ALTERNATOR ASSY	1	
6-9	921521-6528	* SCREW	2	
6-10	3G2-06021-1	* EXCITER COIL	1	
6-11	921521-6522	* SCREW	2	
6-12	350-06025-0	* HOLDER	1	
6-13	921521-6406	* SCREW	3	
6-14	921521-6408	* SCREW	2	
6-15	921521-6510	SCREW	2	
6-16	921503-0530	SCREW	1	
6-17	930103-0500	NUT	1	
6-18	334-00131-0	KEY	1	Magneto
6-19	931121-1600	NUT	1	
6-20	345-00133-0	WASHER 16-28-3.2	1	
6-21	353-76037-0	CABLE TERMINAL PLUG	1	
6-22	346-63722-2	GUIDE PLATE	1	
6-23	348-05233-0	COIL PLATE STOPPER	1	
6-24	346-05228-1	BALL JOINT	1	
6-25	353-63723-1	SETTING RING	1	
6-26	922521-6510	SCREW	1	
6-27	309-06972-0	CLAMP 6.5-47.5P	1	
6-28	3C1-06048-0	IGNITION COIL ASSY W/LABEL	1	IG3758
6-29	346-06999-0	* PLUG CAP W/RESISTANCE	2	

Fig. 6

MAGNETO

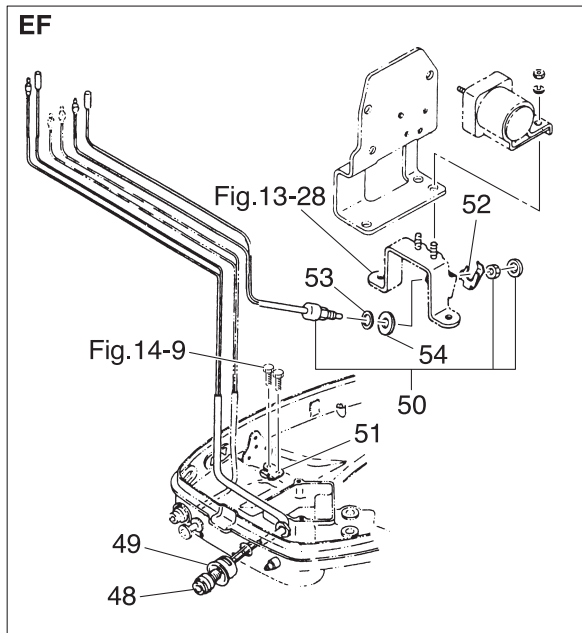
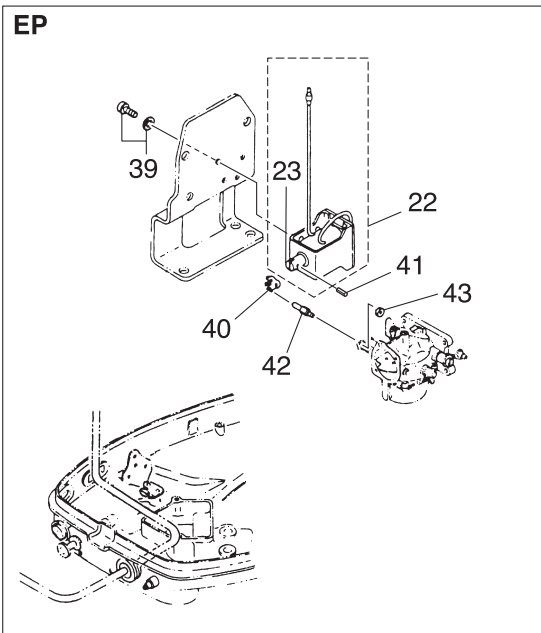
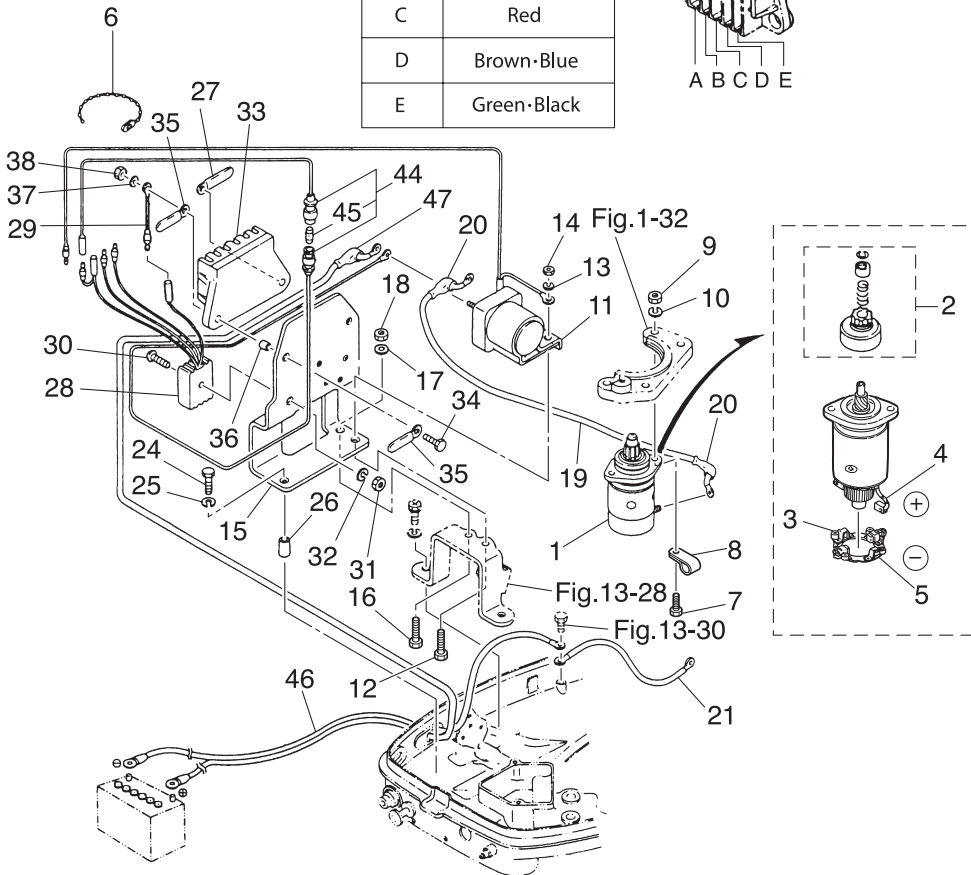
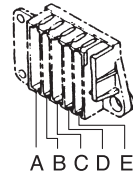


Ref.No.	Part No.	Description	Q' ty	Remarks
			M40C	
6-30	3C8-72181-0	* CAUTION DECAL (B)	1	
6-31	361-06060-1	CD UNIT	1	CU 2503
6-32	910103-0625	BOLT	2	
6-33	3C8-66308-0	WASHER 6-16-1.5	4	
6-34	941303-0600	SPRING WASHER	2	
6-35	930103-0600	NUT	2	
6-36	309-06972-0	CLAMP 6.5-47.5P	1	
6-37	336-76091-0	LEAD WIRE BAND 100	1	
6-38	910103-5620	BOLT	2	
6-39	941303-0600	SPRING WASHER	2	
6-40	930103-0600	NUT	2	
6-41	3A0-06322-1	PLATE	1	
6-42	910103-6625	BOLT	3	
6-43	3C8-66308-0	WASHER 6-16-1.5	3	
6-44	3B7-06305-0	RUBBER MOUNT 9-16-4.3	3	
6-45	3A0-76079-0	COLLAR 6.2-9-7.4	3	
6-46	3F3-06920-0	RUBBER MOUNT 8.5-12-2	3	
6-47	3B7-76142-1	GROUND CABLE L=120	1	Plate-Ignition Coil
6-48	922521-6510	SCREW	4	
6-49	3C7-76142-1	GROUND CABLE L=170	1	for MF Plate-Bottom Cowl
6-50	3A3-76037-0	CABLE TERMINAL PLUG	2	for EP
6-51	3C7-06921-0	PLUG CAP W/RESISTANCE	2	OPT

Fig. 7

ELECTRIC PARTS

Position	Color of lead wires
A	Yellow
B	White
C	Red
D	Brown-Blue
E	Green-Black



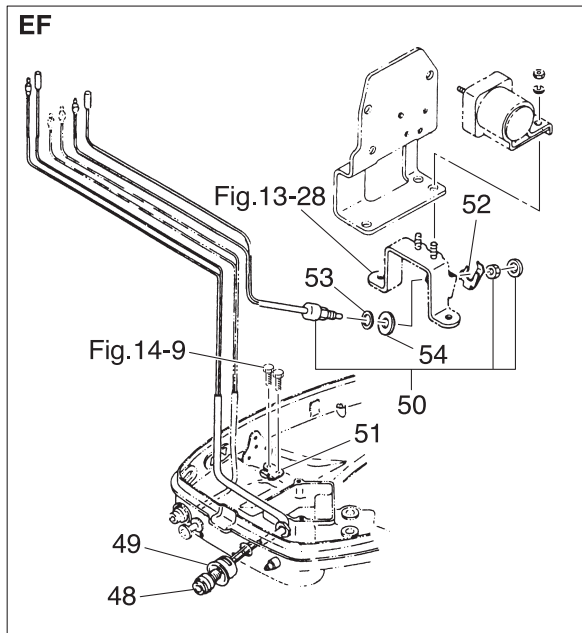
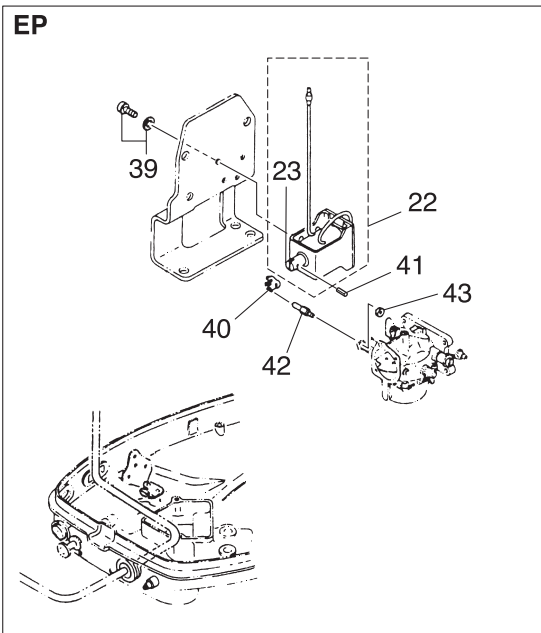
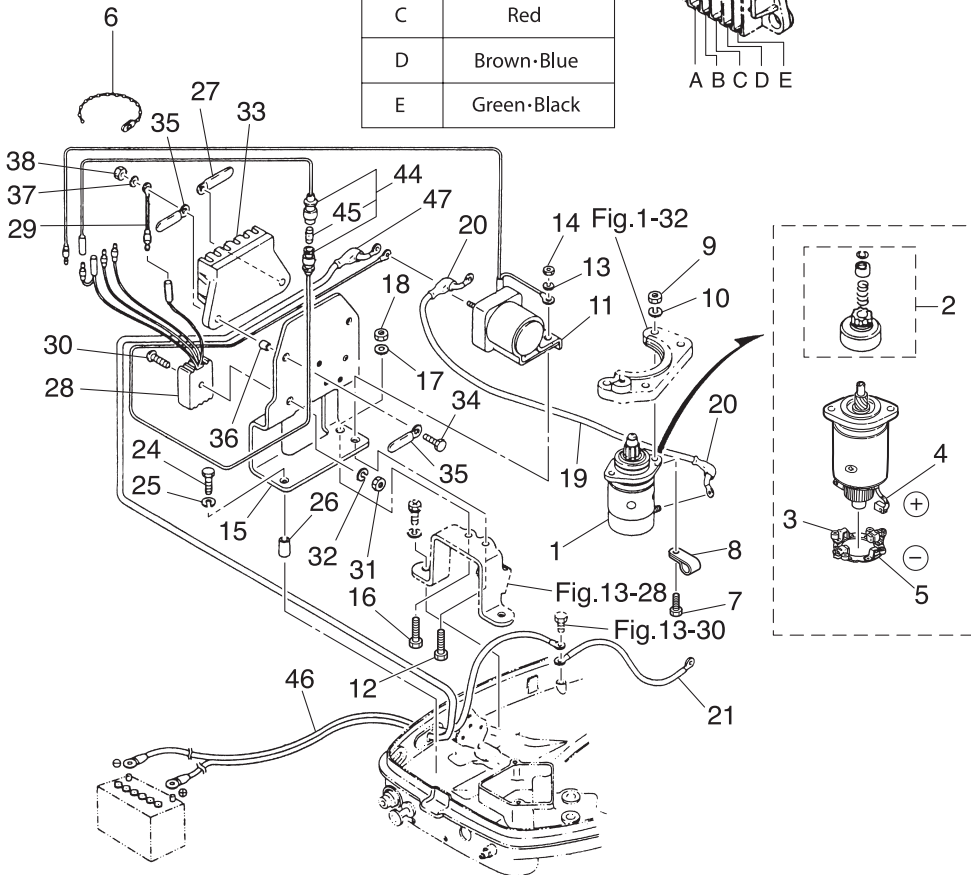
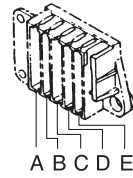


Ref.No.	Part No.	Description	Q' ty	Remarks
			M40C	
7-1	346-76010-0	STARTER MOTOR ASSY	1	for EF/EP
7-2	346-76015-0	* PINION ASSY	1	
7-3	346-76014-0	* BRUSH HOLDER	1	
7-4	346-76012-0	* POSITIVE BRUSH	1	
7-5	346-76013-0	* NEGATIVE BRUSH	1	
7-6	336-76091-0	LEAD WIRE BAND 100	1	
7-7	910103-0830	BOLT	2	Starter Motor
7-8	345-06971-0	CLAMP 9-12U	2	Starter Motor
7-9	930103-0800	NUT	2	Starter Motor
7-10	941303-0800	SPRING WASHER	2	Starter Motor
7-11	346-76040-0	STARTER SOLENOID	1	
7-12	910103-0618	BOLT	1	Starter Solenoid
7-13	941303-0600	SPRING WASHER	1	Starter Solenoid
7-14	930103-0600	NUT	1	Starter Solenoid
7-15	361-76055-1	CHOKE SOLENOID BRACKET	1	
7-16	910103-0618	BOLT	1	Choke Solenoid Bracket
7-17	941303-0600	SPRING WASHER	1	Choke Solenoid Bracket
7-18	930103-0600	NUT	1	Choke Solenoid Bracket
7-19	3B2-76147-2	STARTER CABLE L=200	1	Starter Motor -Starter Solenoid
7-20	3A3-76145-0	TERMINAL CAP	2	
7-21	334-76141-1	STARTER CABLE L=150	1	
7-22	361-76050-0	CHOKE SOLENOID	1	for EP
7-23	361-76073-0	* PLUNGER	1	
7-24	910103-0645	BOLT	1	Choke Solenoid Bracket
7-25	941303-0600	SPRING WASHER	1	Choke Solenoid Bracket
7-26	128-02605-1	SPACER 6-8-28.5	1	Choke Solenoid Bracket
7-27	309-06972-0	CLAMP 6.5-47.5P	1	Choke Solenoid Bracket
7-28	3G2-76060-0	RECTIFIER COMPLETE	1	
7-29	3G2-76142-0	GROUND CABLE	1	Rectifier

Fig. 7

ELECTRIC PARTS

Position	Color of lead wires
A	Yellow
B	White
C	Red
D	Brown-Blue
E	Green-Black



Ref.No.	Part No.	Description	Q' ty	Remarks
			M40C	
7-30	921503-0525	SCREW	1	Rectifier
7-31	930103-0500	NUT	1	Rectifier
7-32	941303-0500	SPRING WASHER	1	Rectifier
7-33	353-06281-0	CABLE TERMINAL HOLDER	1	
7-34	910103-0620	BOLT	2	Choke Solenoid Bracket
7-35	309-06972-0	CLAMP 6.5-47.5P	2	Choke Solenoid Bracket
7-36	353-06283-0	COLLAR 6.4-10-4.7	2	Choke Solenoid Bracket
7-37	941303-0600	SPRING WASHER	2	Choke Solenoid Bracket
7-38	930103-0600	NUT	2	Choke Solenoid Bracket
7-39	921503-6408	SCREW	3	for EP
7-40	346-76057-0	CHOKE SOLENOID HOOK	3	for EP
7-41	951403-0312	SPRING PIN 3-12	1	for EP
7-42	345-76072-1	ROD	1	for EP
7-43	930403-0400	NYLON NUT 4-P0.7	1	for EP
7-44	3B2-76062-0	FUSE WIRE ASSY L=355	1	
7-45	346-76212-0	* FUSE 15A	1	
7-46	3B2-76120-1	BATTERY CABLE L=2000	1	
7-47	3B7-76145-0	TERMINAL CAP	1	
7-48	361-76026-0	MAIN SWITCH ASSY	1	for EF
7-49	346-76039-1	SWITCH PROTECTOR	1	for EF
7-50	361-76080-0	NEUTRAL SWITCH	1	for EF
7-51	361-76082-0	NEUTRAL SWITCH OPERATING LEVER	1	Neutral Switch Plate for EF
7-52	398-76083-0	NEUTRAL SWITCH ACTUATOR	1	for EF
7-53	3M4-76084-0	SPACER 12-14-2.2	1	for EF
7-54	3B7-63731-0	WASHER 12.5-24-1	1	for EF

Fig. 8

DRIVE SHAFT HOUSING

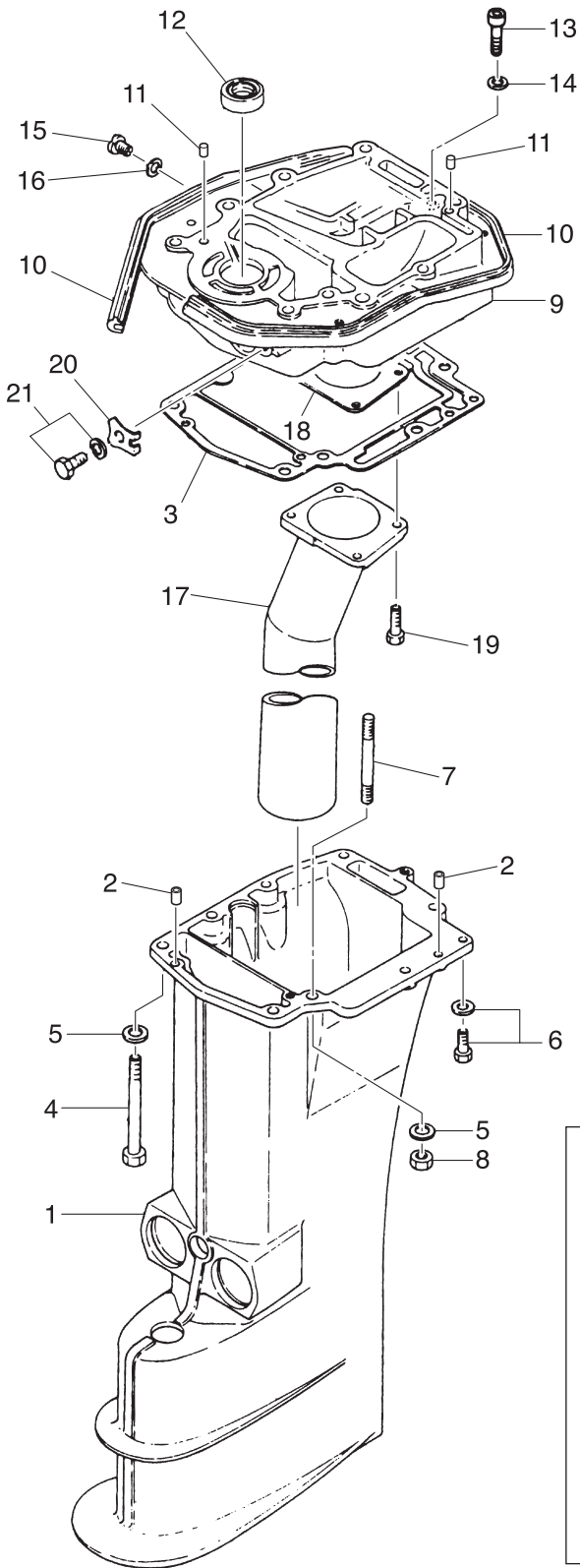
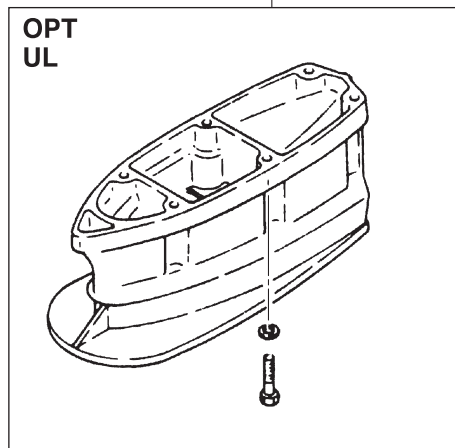


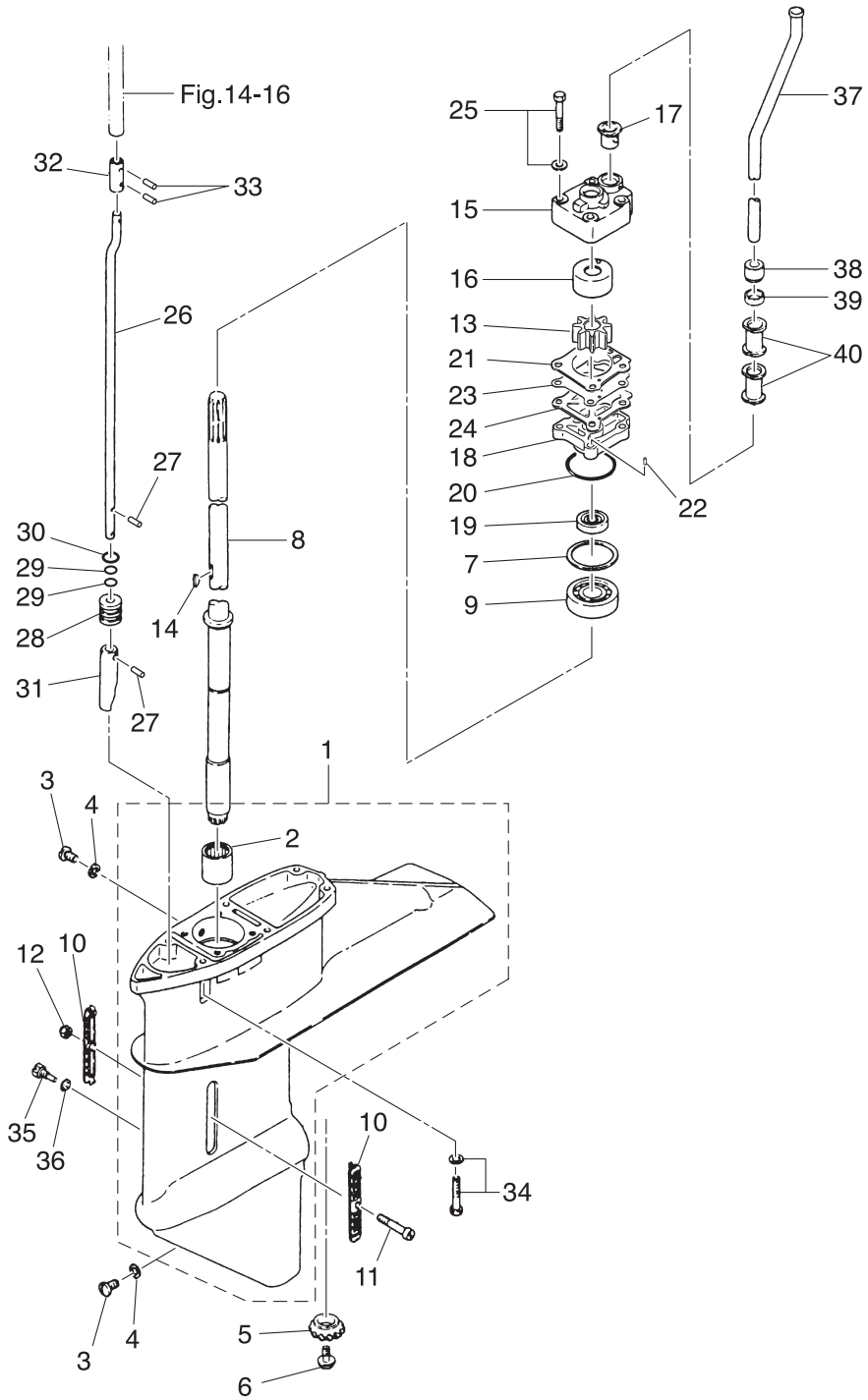
Fig.22-10



Ref.No.	Part No.	Description	Q'ty	Remarks	
			M40C		
8-1	1	345Q61020-2	DRIVE SHAFT HOUSING (S)	1	for Transom "S"
8-1	2	361Q61030-1	DRIVE SHAFT HOUSING (L)	1	for Transom "L"
8-2		345-01111-0	DOWEL PIN 6-12	2	
8-3		345-61012-1	DRIVE SHAFT HOUSING GASKET	1	
8-4	1	9161E3-0885	BOLT	7	for Transom "S"
8-4	2	9161E3-0885	BOLT	8	for Transom "L"
8-5		3P0-66233-0	WASHER 8.1-16-1.5	8	
8-6		9101E3-5620	BOLT	1	
8-7		345-61111-1	STUD	1	for Transom "S"
8-8		930103-0800	NUT	1	for Transom "S"
8-9		345Q01301-0	ENGINE BASEMENT	1	
8-10		345-67116-0	ENGINE BASEMENT SEAL L=400	2	
8-11		345-01111-0	DOWEL PIN 6-12	2	
8-12		345-01215-0	OIL SEAL 17-30-8	1	
8-13		910203-0640	BOLT	2	Hexagon Head Cap Screw
8-14		941303-0600	SPRING WASHER	2	
8-15		9106E3-0808	BOLT	1	
8-16		332-60006-0	GASKET 8.1-15-1	1	
8-17	1	345-02314-2	EXHAUST PIPE	1	for Transom "S"
8-17	2	361-02311-1	EXHAUST PIPE	1	for Transom "L"
8-18		345-02312-1	EXHAUST PIPE GASKET	1	
8-19		9101E3-5625	BOLT	4	
8-20		345-61312-1	RUBBER MOUNT RETAINER	2	
8-21		9101E3-5820	BOLT	2	

Fig. 9

GEAR CASE (DRIVE SHAFT)



Ref.No.	Part No.	Description	Q' ty	Remarks
			M40C	
9-1	361Q60000-0	GEAR CASE ASSY	1	
9-2	345-60211-0	* ROLLER BEARING 22-30-30	1	
9-3	332-60005-2	PLUG 8-8	2	
9-4	332-60006-0	GASKET 8.1-15-1	2	
9-5	345-64020-1	BEVEL GEAR B	1	
9-6	345-64025-0	BOLT	1	
9-7	1 345-64081-0	SHIM 41-51.5-0.1	A	
9-7	2 345-64082-0	SHIM 41-51.5-0.15	A	
9-7	3 345-64083-0	SHIM 41-51.5-0.3	A	
9-7	4 345-64084-0	SHIM 41-51.5-0.5	A	
9-8	1 345-64301-0	DRIVE SHAFT (S)	1	for Transom "S"
9-8	2 345-64302-0	DRIVE SHAFT (L)	1	for Transom "L"
9-9	345-60213-0	TAPERED ROLLER BEARING 32304	1	
9-10	345-60206-1	WATER STRAINER	2	
9-11	921503-0440	SCREW	1	
9-12	930403-0400	NYLON NUT 4-P0.7	1	
9-13	345-65021-0	WATER PUMP IMPELLER	1	
9-14	332-65022-0	KEY	1	
9-15	348-65016-1	PUMP CASE (UPPER)	1	
9-16	348-65011-0	PUMP CASE LINER	1	
9-17	3B7-65014-0	WATER PIPE SEAL (LOWER)	1	
9-18	348-65017-1	PUMP CASE (LOWER)	1	
9-19	332-60111-0	OIL SEAL 17-33-9.5	1	
9-20	345-65015-0	O-RING 3.2-47	1	
9-21	348-65018-0	PUMP CASE GASKET	1	
9-22	334-65012-0	DOWEL PIN 4-10	2	
9-23	348-65025-0	WATER PUMP GUIDE PLATE	1	
9-24	348-65029-1	GUIDE PLATE GASKET	1	
9-25	9101E3-5652	BOLT	4	

Fig. 9

GEAR CASE (DRIVE SHAFT)

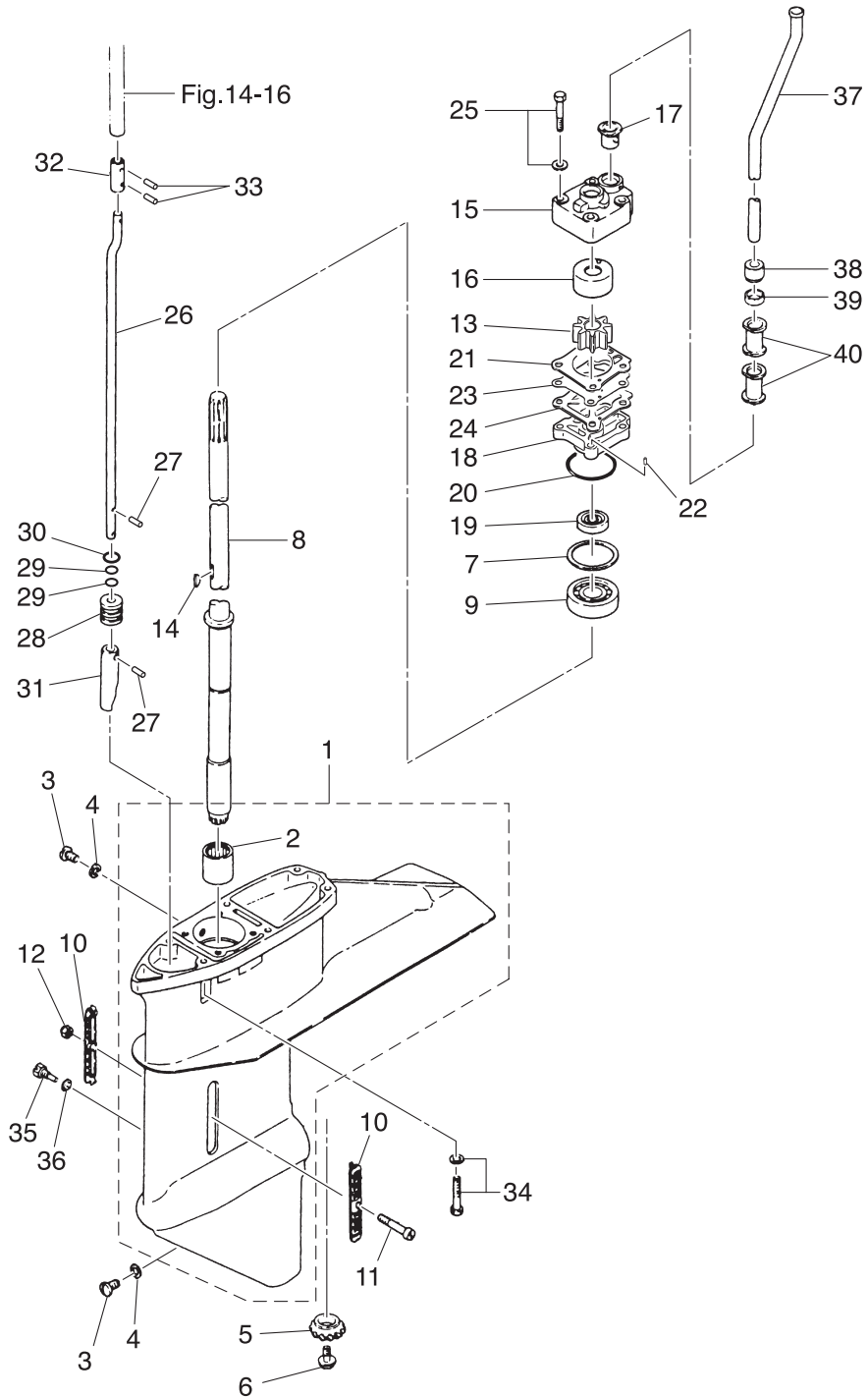
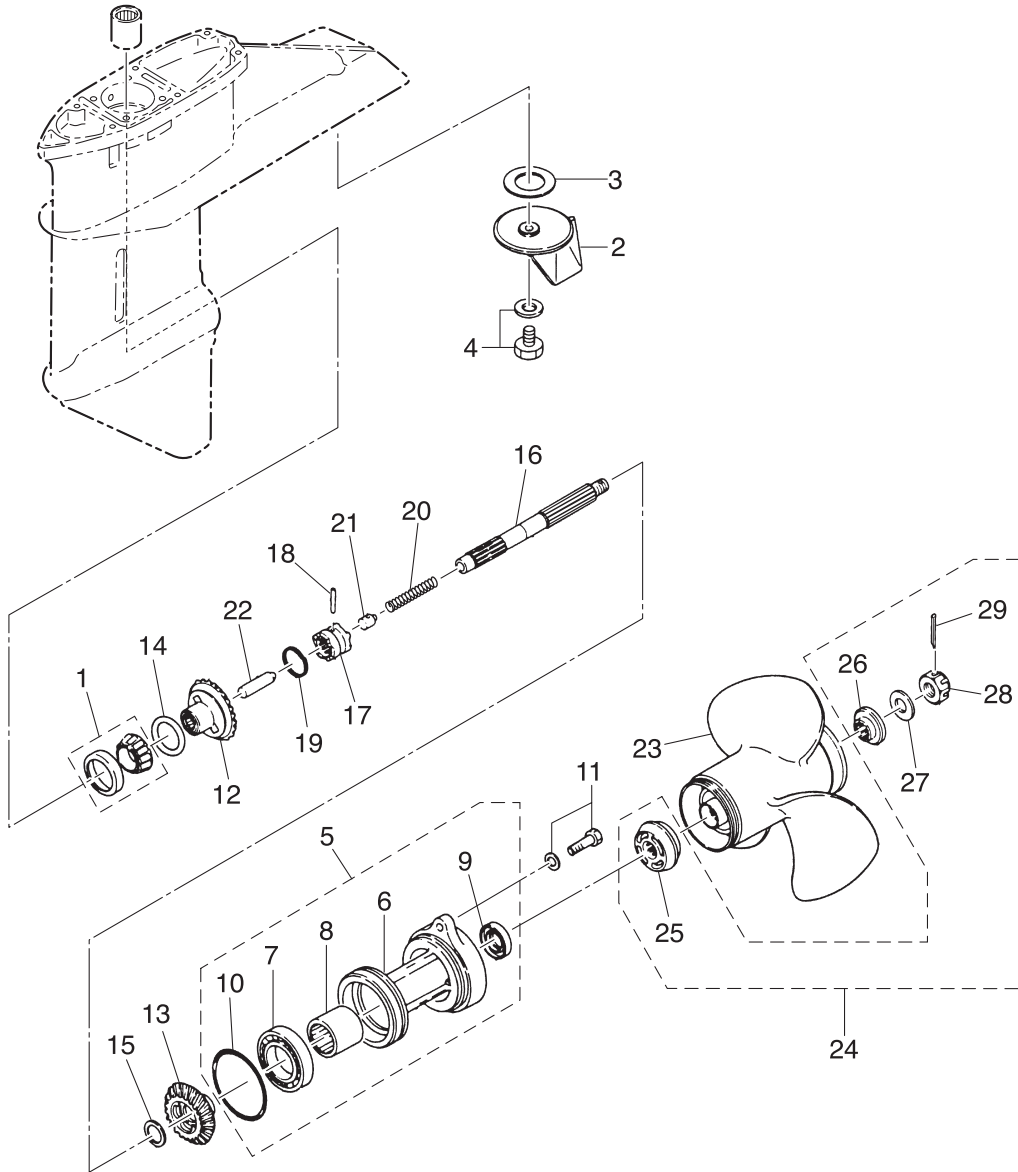






Fig. 10

GEAR CASE (PROPELLER SHAFT)



Ref.No.	Part No.	Description	Q' ty	Remarks
			M40C	
10-1	345-60215-0	TAPERED ROLLER BEARING 32007	1	
10-2	348-60217-0	TRIM TAB	1	
10-3	353-60219-0	TRIM TAB GASKET	1	
10-4	910103-5618	BOLT	1	
10-5	345Q60100-0	PROPELLER SHAFT HOUSING ASSY	1	
10-6	345Q60101-1	* PROPELLER SHAFT HOUSING	1	
10-7	9601-0-6007	* BALL BEARING 6007	1	
10-8	345-60211-0	* ROLLER BEARING 22-30-30	1	
10-9	334-60223-0	* OIL SEAL 22-36-10	1	
10-10	345-60103-0	* O-RING 3.5-69.4	1	
10-11	9101E3-5830	BOLT	2	
10-12	348-64010-1	BEVEL GEAR ASSY (A)	1	
10-13	348-64030-0	BEVEL GEAR C	1	
10-14	1 353-64036-0	SHIM 36-44-0.3	A	
10-14	2 353-64037-0	SHIM 36-44-0.15	A	
10-14	3 353-64038-0	SHIM 36-44-0.1	A	
10-15	345-64032-0	WASHER 22.1-28-3	1	
10-16	348-64211-0	PROPELLER SHAFT	1	
10-17	348-64215-0	CLUTCH	1	
10-18	345-64217-0	PIN	1	
10-19	345-64219-0	SNAP	1	
10-20	345-64221-0	SPRING	1	
10-21	345-64222-0	SPRING RETAINER	1	
10-22	345-64223-0	PUSH ROD	1	
10-23	1 348B64107-1	PROPELLER ASSY (8.5")	1	OPT 3 x 285 x 220
10-23	2 361B64115-1	PROPELLER ASSY (9")	1	OPT 3 x 276 x 226
10-23	3 361B64109-1	PROPELLER ASSY (10")	1	OPT 3 x 275 x 252
10-23	4 361B64113-1	PROPELLER ASSY (11")	1	STD 3 x 268 x 287
10-23	5 3T5B64525-0	PROPELLER ASSY (12")	1	OPT 3 x 290 x 305

Fig. 10

GEAR CASE (PROPELLER SHAFT)

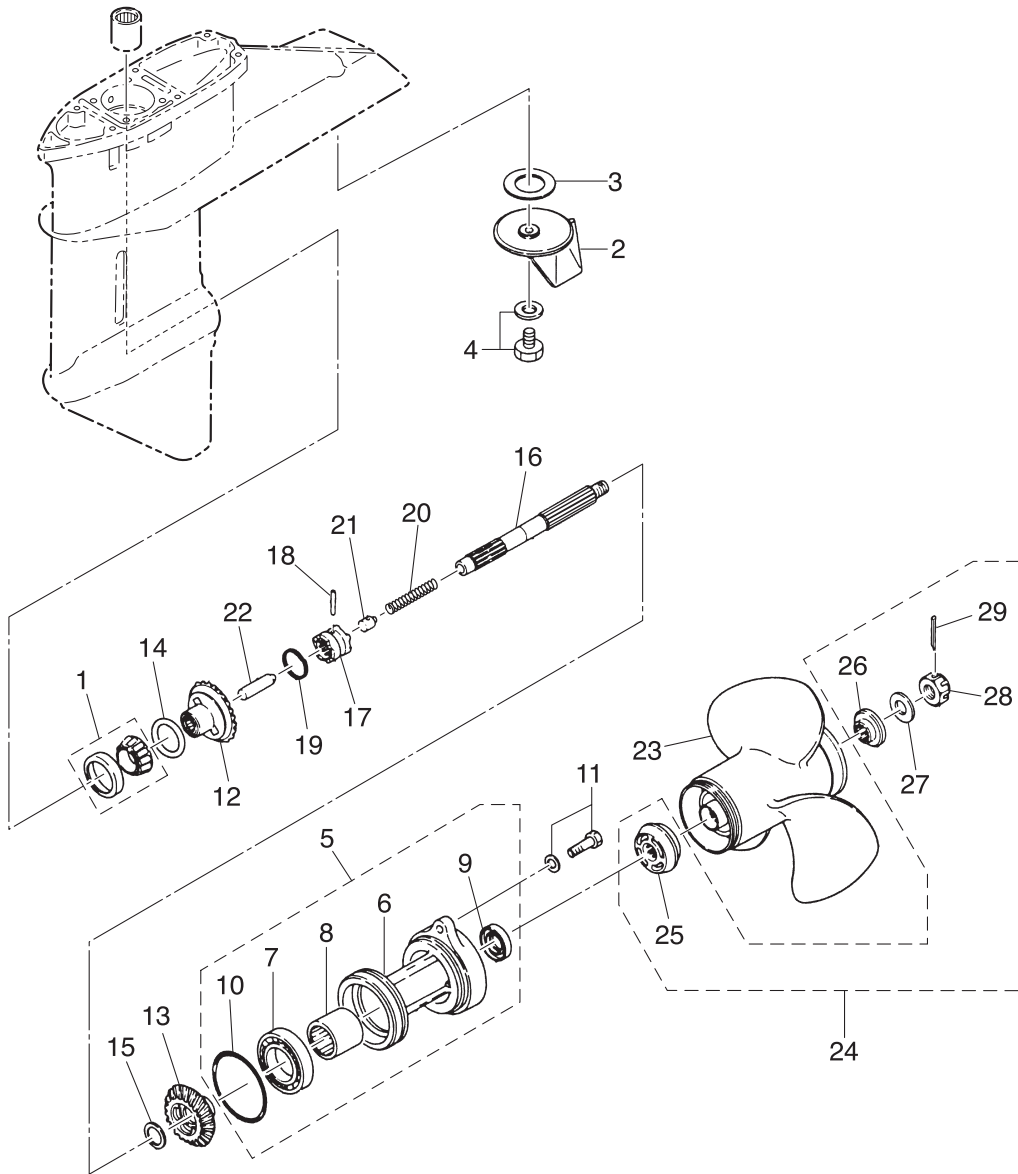
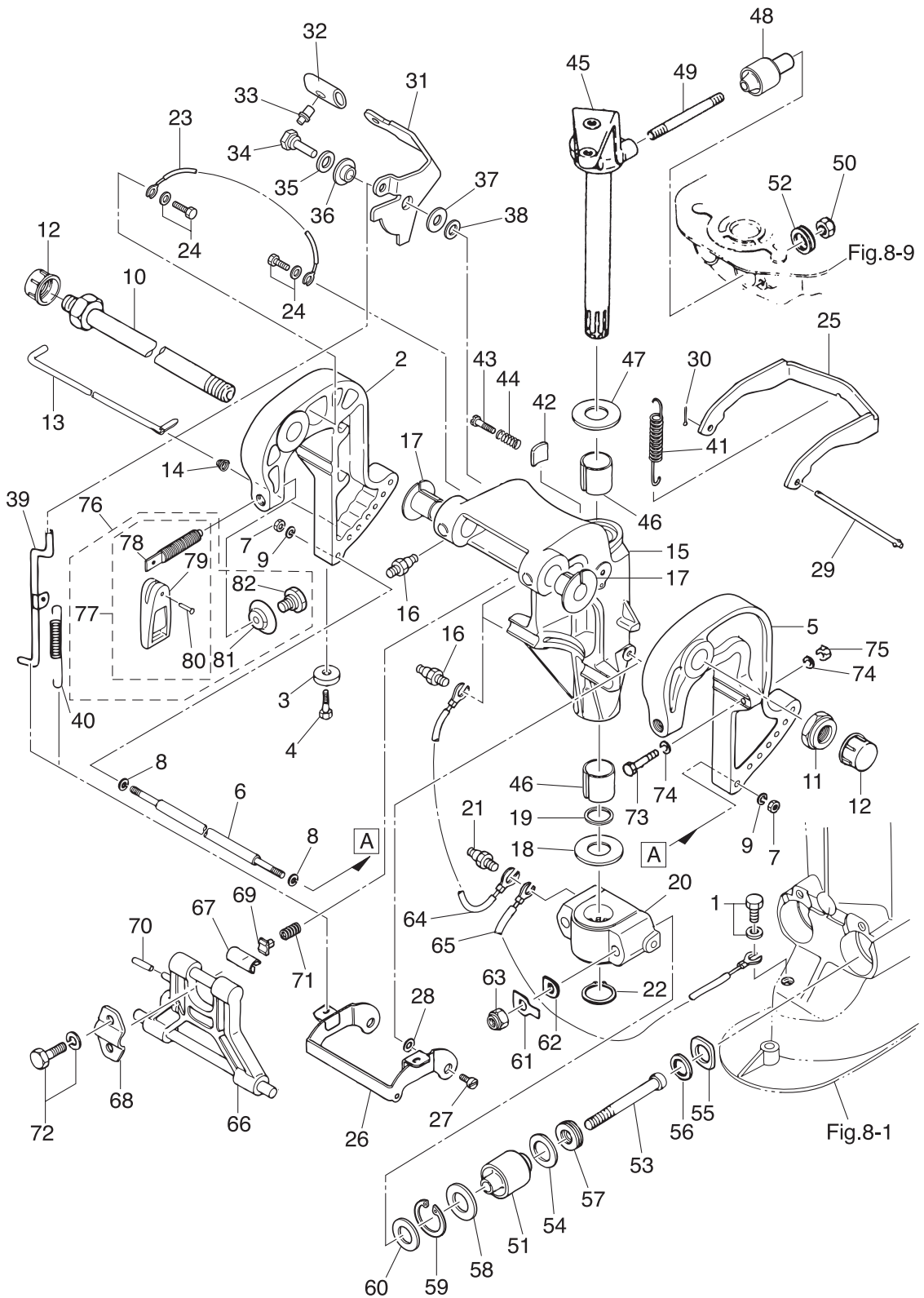


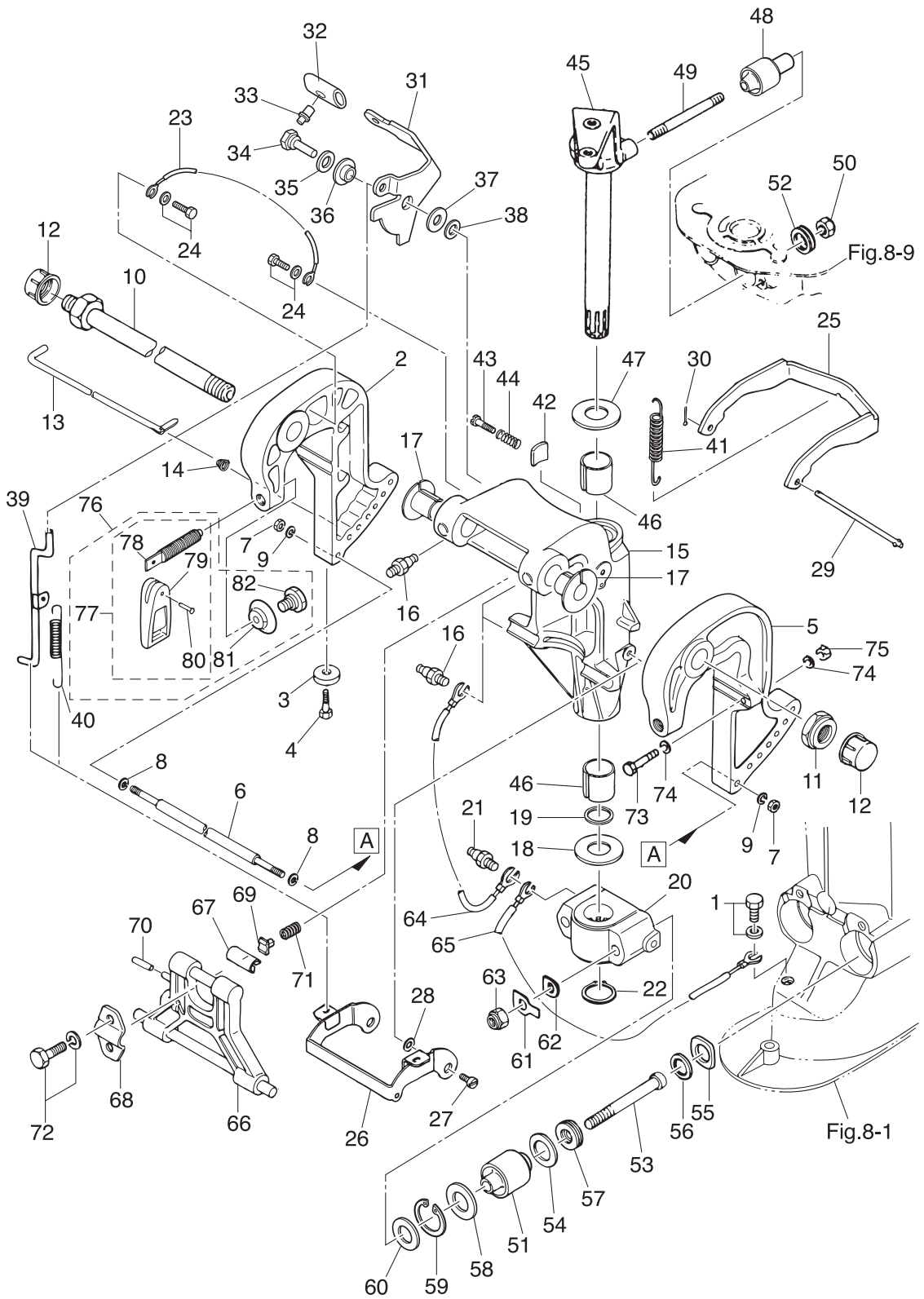


Fig. 11 BRACKET



Ref.No.	Part No.	Description	Q' ty	Remarks
			M40C	
11-1	9101E3-5610	BOLT	1	
11-2	3AEQ62112-2	CLAMP BRACKET (R)	1	Starboard Side
11-3	338-60218-2	ANODE	1	
11-4	910103-5620	BOLT	1	
11-5	3AEQ62113-2	CLAMP BRACKET (L)	1	Port Side
11-6	346-62117-1	DISTANCE PIECE	1	
11-7	930103-0600	NUT	2	
11-8	9401E3-0600	WASHER	2	Distance Piece Side
11-9	9401E3-0600	WASHER	2	Nut Side
11-10	3AC-62191-0	SWIVEL BRACKET SHAFT ASSY	1	Bracket Bolt
11-11	346-62124-1	NYLON NUT 7/8-14	1	
11-12	346-62127-0	CAP NUT	2	for MF/EF
11-13	345-62121-1	THRUST ROD	1	
11-14	345-62122-2	THRUST ROD SPRING	1	
11-15	349Q62310-3	SWIVEL BRACKET	1	
11-16	344-67177-1	GREASE FITTING	3	
11-17	349-62126-0	BUSHING	2	
11-18	346-62424-1	THRUST PLATE (LOWER) 26.5-46-1	1	
11-19	3H8-62415-0	O-RING 3.5-25.7	1	
11-20	348Q61411-2	MOUNT BRACKET	1	
11-21	344-67177-1	GREASE FITTING	2	
11-22	945103-2500	C-RING d=25	1	
11-23	398-62396-1	GROUND L=130	1	Clamp Bracket -Swivel Bracket
11-24	9101E3-5612	BOLT	2	
11-25	346-66322-0	REVERSE LOCK	1	
11-26	349-66313-0	REVERSE LOCK ARM	1	
11-27	336-66319-1	PIVOT BOLT	2	
11-28	3R0-66308-0	WASHER 6-16-1.5	2	
11-29	346-66321-0	REVERSE LOCK ROD	1	

Fig. 11 BRACKET

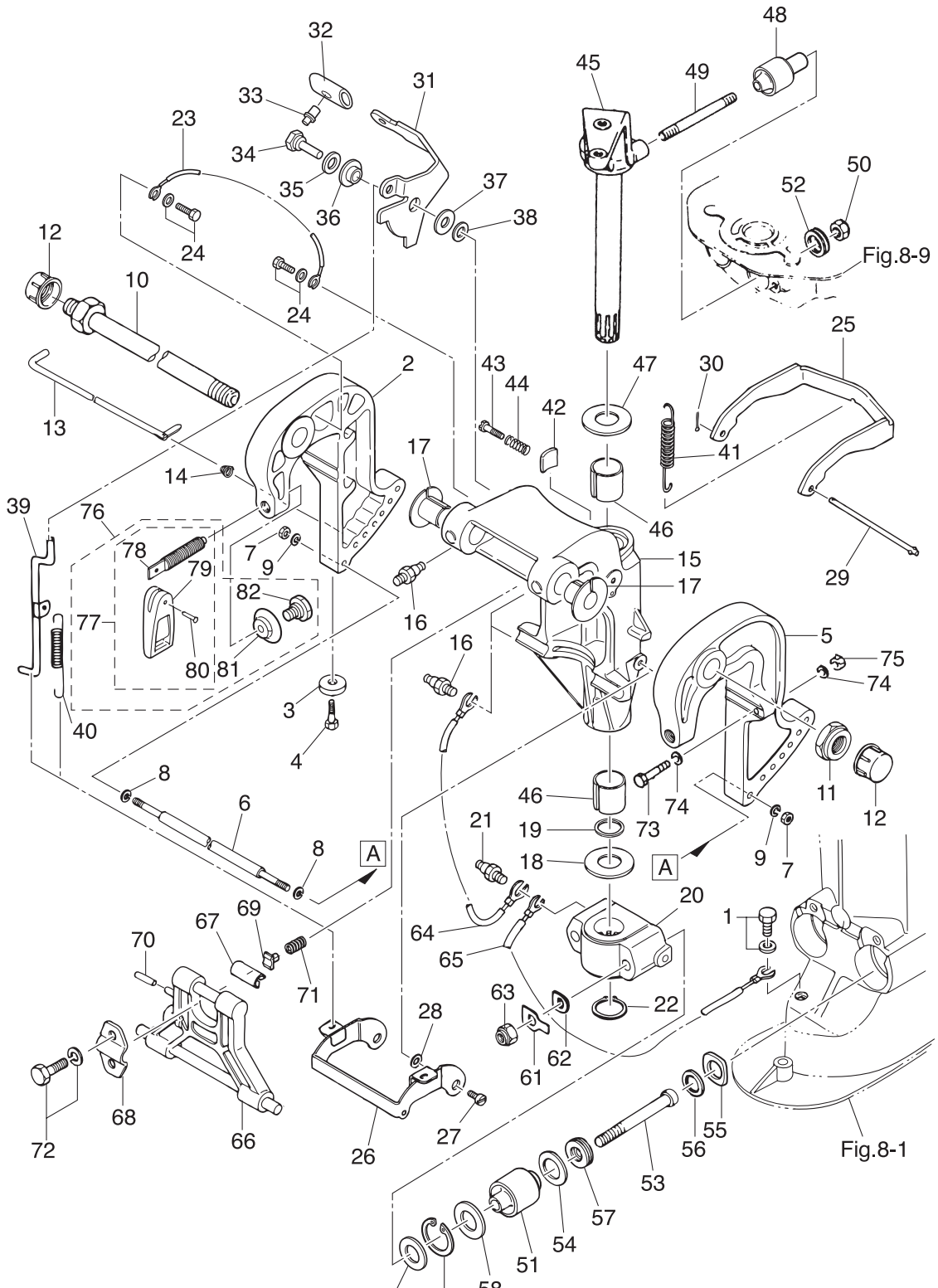




Ref.No.	Part No.	Description	Q' ty	Remarks
			M40C	
11-30	951503-0212	SPLIT PIN 2-12	1	
11-31	3P0-66311-0	REVERSE LOCK LEVER	1	
11-32	3AL-66333-0	REVERSE LOCK LEVER GRIP	1	
11-33	346-66334-0	STOPPER	1	
11-34	3AL-05254-0	SHOULDER BOLT 6-8	1	
11-35	940103-0800	WASHER	1	
11-36	3AL-05212-0	BUSHING 8.1-20	1	
11-37	3AA-83719-0	WASHER 8.5-18-1.6	1	
11-38	3R0-66308-0	WASHER 6-16-1.5	1	
11-39	349-66312-0	REVERSE LOCK LINK	1	
11-40	346-66323-1	REVERSE LOCK LEVER SPRING	1	
11-41	1 3R0-66332-0	REVERSE LOCK SPRING (L)	1	for Transom "L"
11-41	2 346-66331-0	REVERSE LOCK SPRING (S)	1	for Transom "S"
11-42	345-62441-0	FRICTION PIECE	1	
11-43	9101E3-0830	BOLT	1	
11-44	346-62421-1	FRICTION SPRING	1	
11-45	348Q62010-1	STEERING SHAFT ASSY	1	
11-46	345-62417-0	BUSHING 26-32	2	
11-47	3A0-62423-2	THRUST PLATE (UPPER) 27-50-1	1	
11-48	345-61301-1	RUBBER MOUNT (UPPER)	2	
11-49	345-61313-0	STUD	2	
11-50	930403-1000	NYLON NUT 10-P1.5	2	
11-51	345-61302-1	RUBBER MOUNT (LOWER)	2	
11-52	345-61333-0	DAMPER (UPPER)	2	Upper
11-53	345-61321-2	BOLT	2	
11-54	345-61334-0	WASHER 21-40.3-4	2	
11-55	345-61331-0	DAMPER CAP	2	
11-56	345-61332-0	COLLAR 20-31.7-3	2	
11-57	345-61333-0	DAMPER (UPPER)	2	Lower

Fig. 11

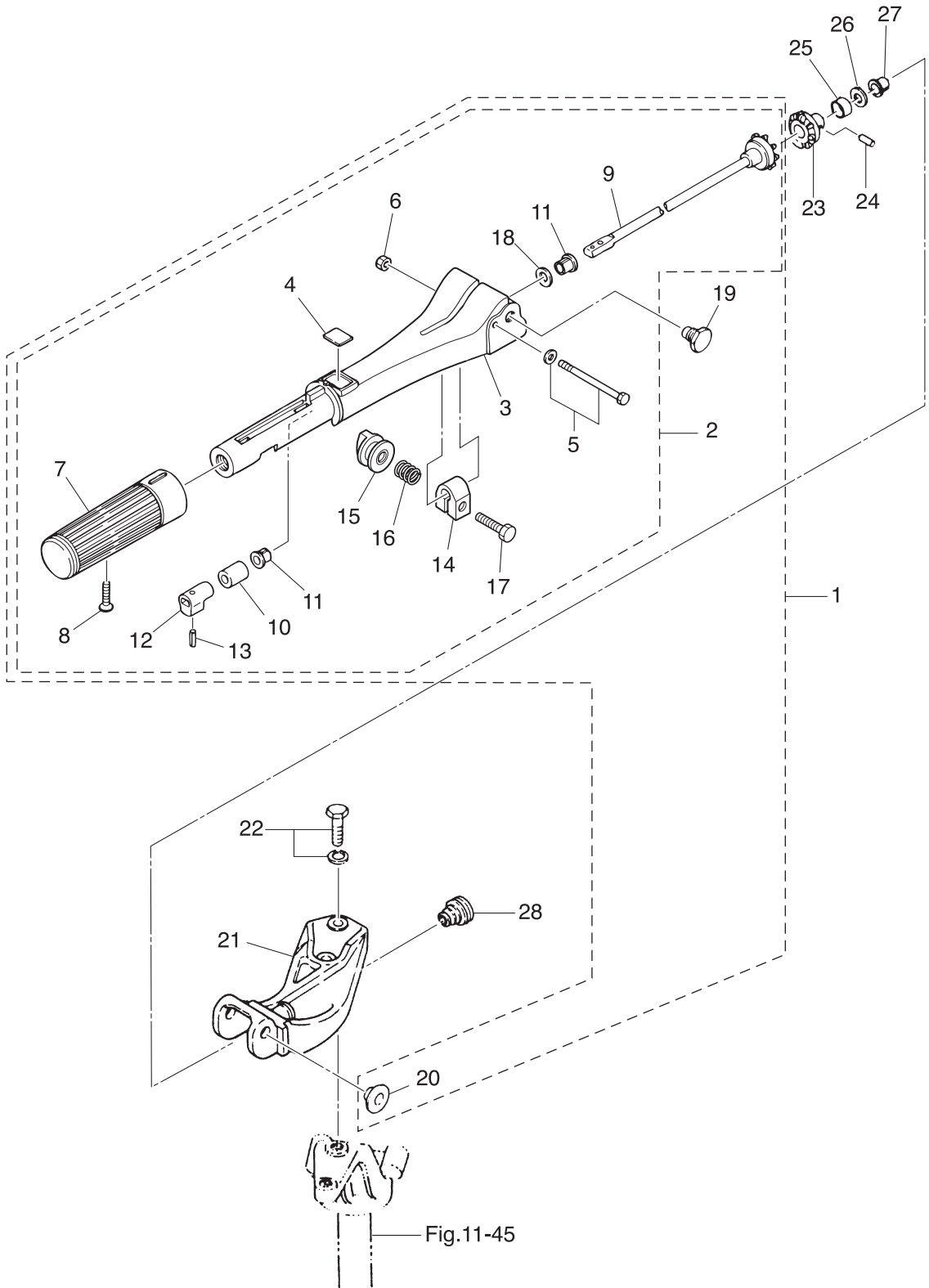
BRACKET



Ref.No.	Part No.	Description	Q' ty	Remarks
			M40C	
11-58	348-61309-0	SHIM 33-40.7-0.5	A	
11-59	945003-4000	C-RING d=40	2	
11-60	9401E3-1000	WASHER	2	
11-61	346-61323-0	LOCK PLATE	2	
11-62	345-61322-2	WASHER	2	
11-63	930103-1000	NUT 10-P1.5	2	
11-64	3A3-62396-1	GROUND L=110	1	Swivel Bracket -Mount Bracket
11-65	3A3-62396-1	GROUND L=110	1	Mount Bracket -Drive Shaft Housing
11-66	349Q62993-2	TILT STOPPER	1	
11-67	346-62437-0	BUSHING 10.2-12-29.5	1	
11-68	346-62439-1	SETTING PLATE	1	
11-69	346-62438-0	SETTING PIECE	1	
11-70	951403-0640	SPRING PIN	1	
11-71	3C8-62421-1	FRICITION SPRING	1	
11-72	9101E3-5820	BOLT	2	
11-73	916103-0885	BOLT	2	
11-74	940103-0800	WASHER	4	
11-75	930103-0800	NUT	2	
11-76	3AAQ62105-0	CLAMP SCREW KIT	2	
11-77	3AAQ62108-0	* CLAMP SCREW ASSY	1	
11-78	3AA-62106-0	** CLAMP SCREW	1	
11-79	332Q62102-1	** CLAMP SCREW HANDLE	1	
11-80	3C8-62104-2	** RIVET 3-22	1	
11-81	332-62101-1	* CLAMP SCREW PAD	1	
11-82	3C8-62107-0	* SHOULDER BOLT	1	

Fig. 12

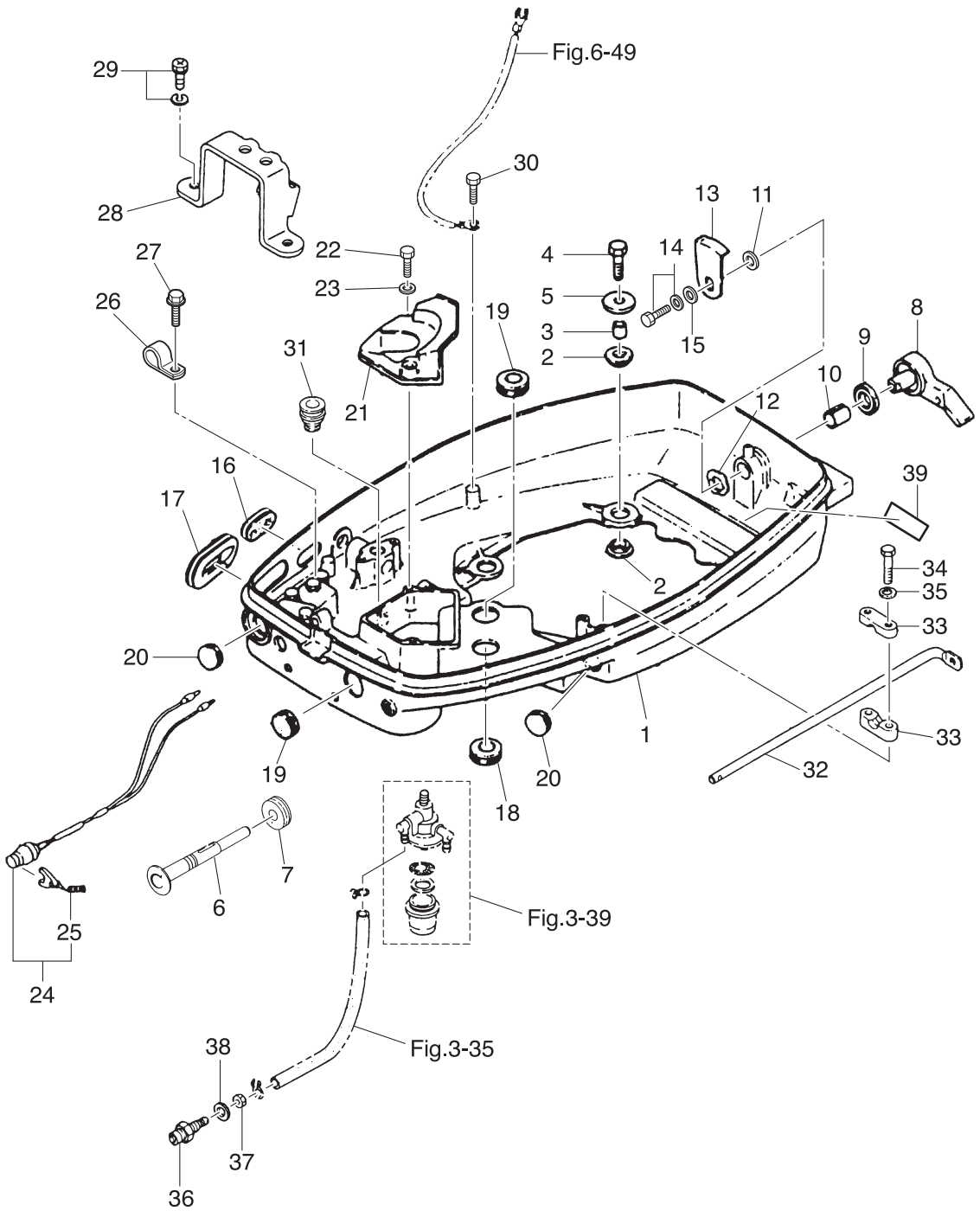
TILLER HANDLE



Ref.No.	Part No.	Description	Q' ty	Remarks
			M40C	
12-1	398Q63003-1	TILLER HANDLE ASSY	1	for MF/EF
12-2	3M3Q63005-1	* TILLER HANDLE SUB-ASSY	1	
12-3	398Q63011-1	** TILLER HANDLE	1	
12-4	369-72019-1	** THROTTLE DECAL	1	
12-5	9101E3-5675	** BOLT	1	
12-6	930403-0600	** NYLON NUT 6-P1.0	1	
12-7	398-63012-0	** GRIP	1	
12-8	921803-0525	** SCREW	1	
12-9	398-63041-0	** THROTTLE SHAFT	1	
12-10	345-63048-0	** THROTTLE SHAFT DAMPER	1	
12-11	350-63046-0	** BUSHING 8.4-10-11	2	
12-12	398-63053-0	** SPACER	1	
12-13	951403-0310	** SPRING PIN 3-10	1	
12-14	3V1-63035-1	** FRICTION PIECE	1	
12-15	3V1-63077-0	** ADJUSTING NUT	1	
12-16	3V1-63036-0	** SPRING	1	
12-17	9101E3-0625	** BOLT	1	
12-18	941403-1000	** WAVE WASHER d=10	1	
12-19	346-63201-2	* BOLT	2	
12-20	345-63207-0	* COLLAR 9.8-12.7-7.5	2	
12-21	345Q63051-0	STEERING BRACKET	1	
12-22	9101E3-5825	BOLT	2	
12-23	346-63064-0	UNIVERSAL PINION	1	
12-24	951403-0414	SPRING PIN 4-14	1	
12-25	346-63066-1	COLLAR 15.9-17-9	1	
12-26	940103-0800	WASHER	1	
12-27	350-63046-0	BUSHING 8.4-10-11	1	
12-28	345-66226-0	GROMMET 17-3	1	

Fig. 13

BOTTOM COWL



Ref.No.	Part No.	Description	Q'ty	Remarks
			M40C	
13-1	345Q67100-2	BOTTOM COWL	1	
13-2	345-67113-0	MOUNT 12-18-2.5	8	
13-3	345-67114-0	SPACER 8.4-12-17	4	
13-4	9101E3-6835	BOLT	4	
13-5	345-67115-0	WASHER 6.5-21-1	4	
13-6	345-67151-0	CHOKE ROD	1	
13-7	345-67193-0	GROMMET 16-2.5	1	
13-8	338Q67141-0	HOOK LEVER	1	
13-9	338-67147-0	SEAL RING 13.8-22-3.7	1	
13-10	350-67105-0	HOOK LEVER BUSHING 14-16.5-17.7	1	
13-11	3C8-67146-0	WASHER 14-22-1	1	
13-12	941403-1400	WAVE WASHER d=14	1	
13-13	345-67142-1	COVER HOOK	1	
13-14	910103-6612	BOLT	1	
13-15	3C8-66308-0	WASHER 6-16-1.5	1	
13-16	353-67162-0	GROMMET	1	
13-17	345-83732-0	GROMMET	1	
13-18	369-61016-0	GROMMET 29-3	1	
13-19	1 345-67161-0	GROMMET 22-3	1	for EF/EP
13-19	2 345-67161-0	GROMMET 22-3	2	for MF
13-20	345-67117-0	GROMMET 17-2.7	2	for EP
13-21	345-67183-0	AIR INTAKE BAFFLE	1	
13-22	9101F4-0625	BOLT	2	
13-23	940103-0600	WASHER	4	
13-24	398-06830-0	STOP SWITCH ASSY	1	for MF/EF
13-25	353-06821-0	* STOP SWITCH LANYARD ASSY	1	
13-26	336-06973-0	CLAMP 6-9.5L	1	
13-27	921503-5612	SCREW	1	
13-28	345-76081-0	NEUTRAL SWITCH BRACKET	1	for EF/EP

Fig. 13

BOTTOM COWL

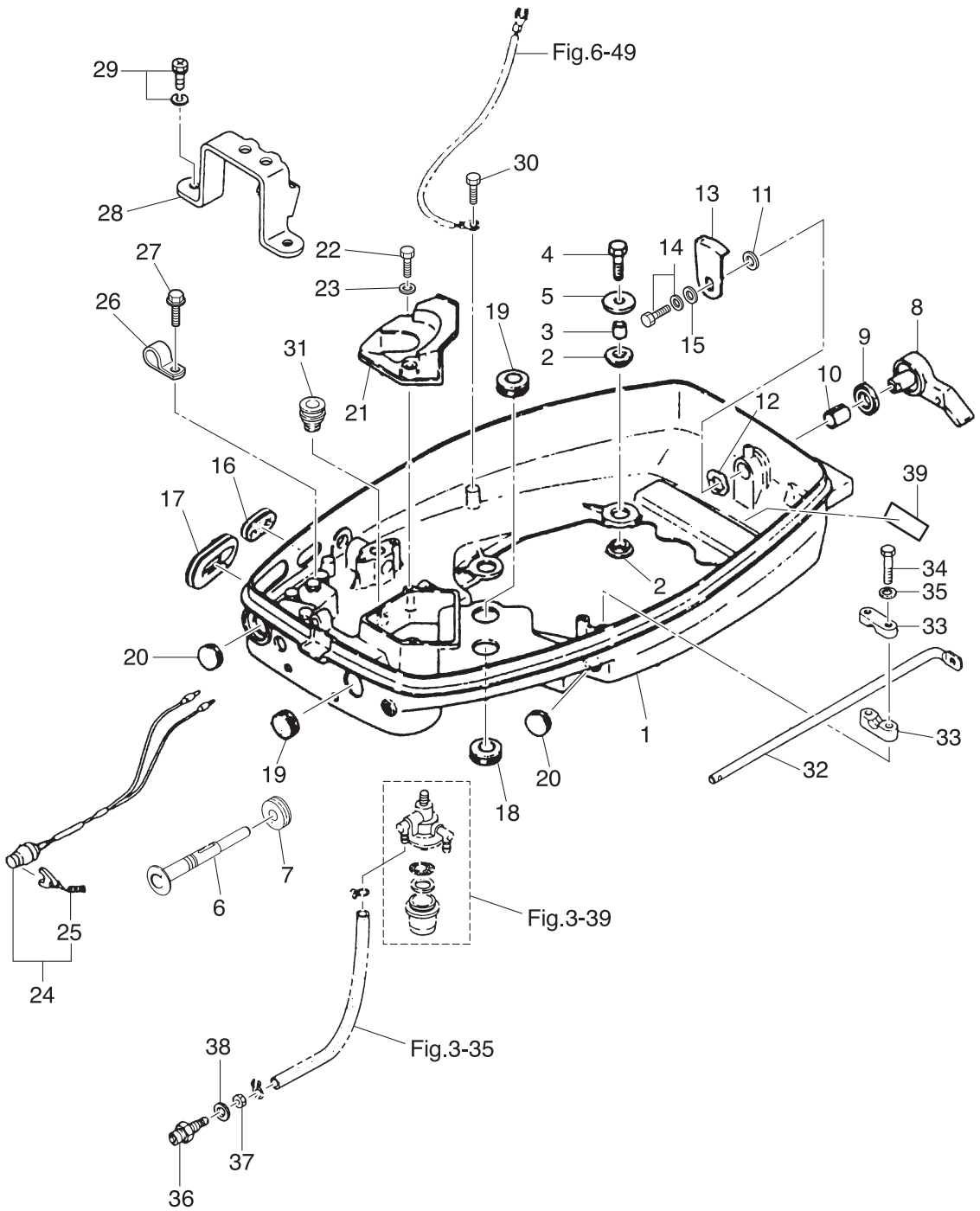






Fig. 14

SHIFT

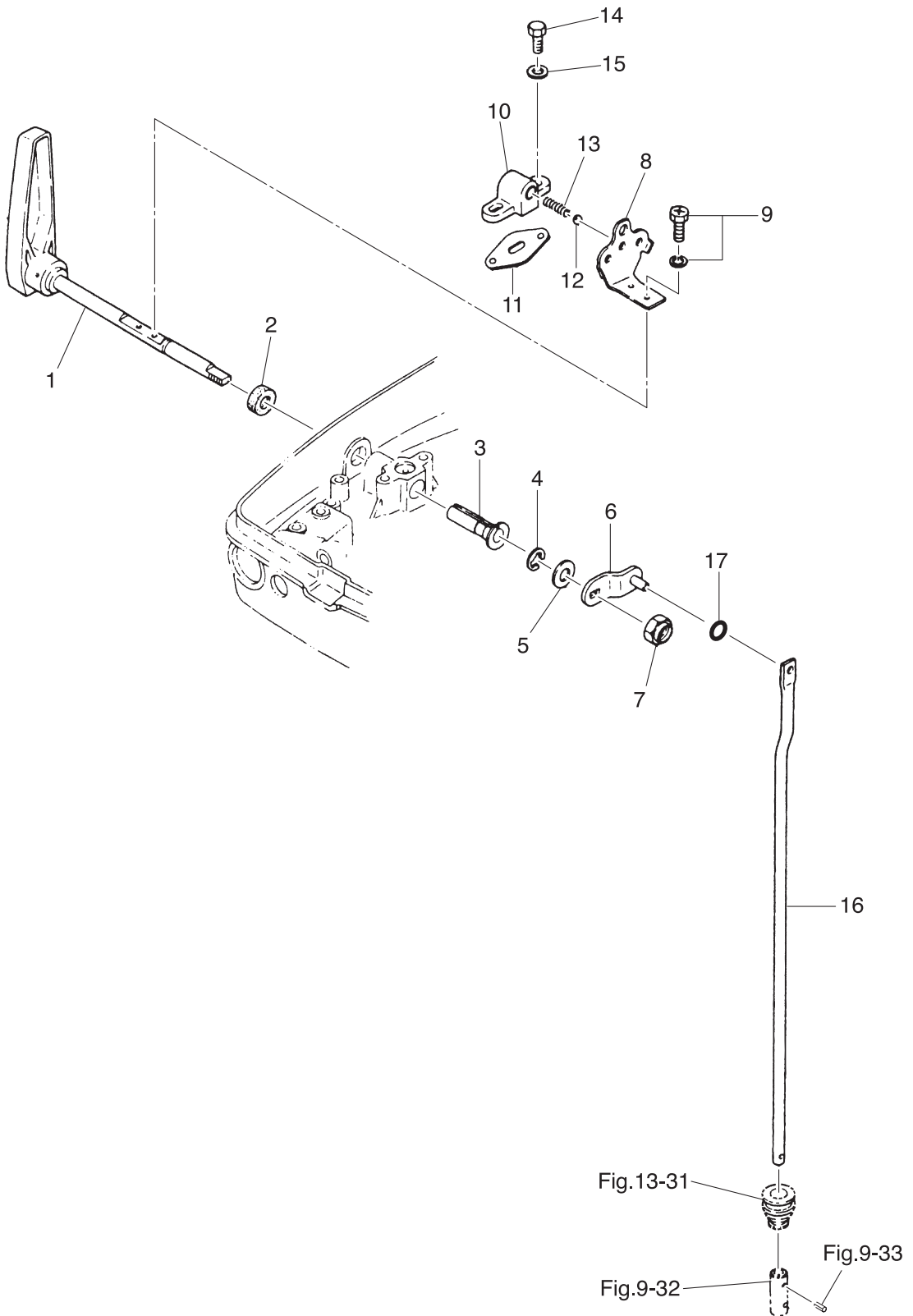
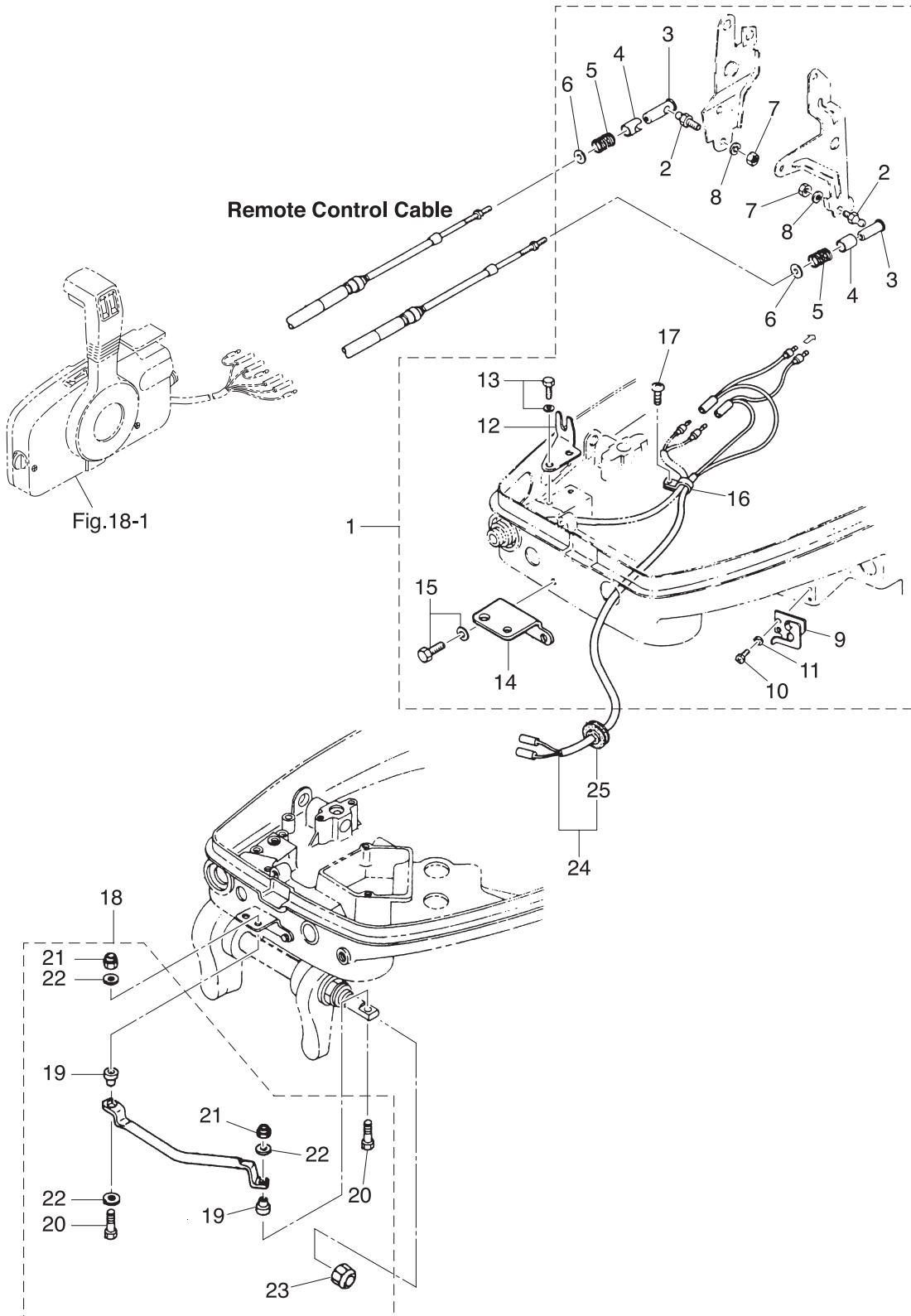




Fig. 15

REMOTE CONTROL PARTS



Ref.No.	Part No.	Description	Q' ty	Remarks
			M40C	
15-1	361-83880-3	REMOTE CONTROL FITTING ASSY	1	for EP
15-2	345-83721-0	* BALL JOINT	2	
15-3	3A1-83722-0	* BALL JOINT HOLDER	2	
15-4	332-83723-0	* HOLDER CAP	2	
15-5	332-83724-0	* SPRING	2	
15-6	332-83725-0	* WASHER 5.5-14-1.2	2	
15-7	930103-0600	* NUT	2	
15-8	941303-0600	* SPRING WASHER	2	
15-9	345-83820-0	* CABLE CLIP ASSY	1	
15-10	910403-0518	* BOLT	2	
15-11	941303-0500	* SPRING WASHER	2	
15-12	345-83821-0	* CLUTCH CABLE CLIP BRACKET	1	
15-13	910103-6616	* BOLT	2	
15-14	345-84830-0	* STEERING HOOK	1	
15-15	910103-6820	* BOLT	2	
15-16	336-06973-0	* CLAMP 6-9.5L	1	
15-17	9215E3-0612	* SCREW	1	
15-18	361-84905-1	DRAG LINK ASSY	1	for EP
15-19	361-84914-1	* SPACER	2	
15-20	353-84917-0	* BOLT 3/8-45	2	
15-21	353-84918-0	* NYLON NUT 3/8-24UNF	2	
15-22	353-84916-0	* WASHER 9.6-18-2	3	
15-23	3F3-84908-0	* SEAL RING	1	
15-24	1 3P0-83857-0	REMOTE CONTROL STOP CORD ASSY L=390	1	OPT
15-24	2 361-83857-0	REMOTE CONTROL STOP CORD ASSY L=590	1	OPT
15-25	345-76023-0	* GROMMET 22-2.5	1	

Fig. 16

TOP COWL

1

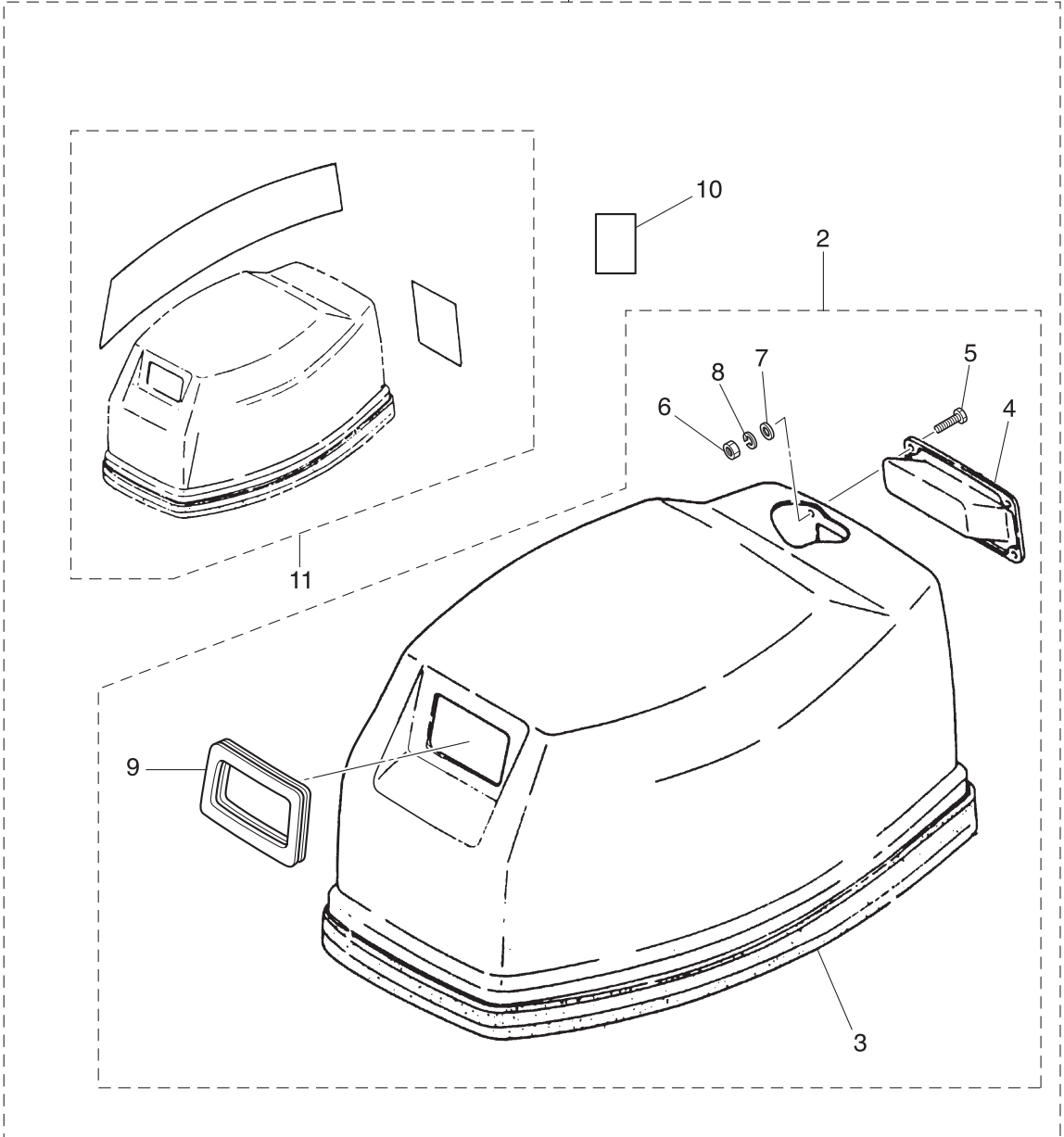




Fig. 17

FUEL TANK

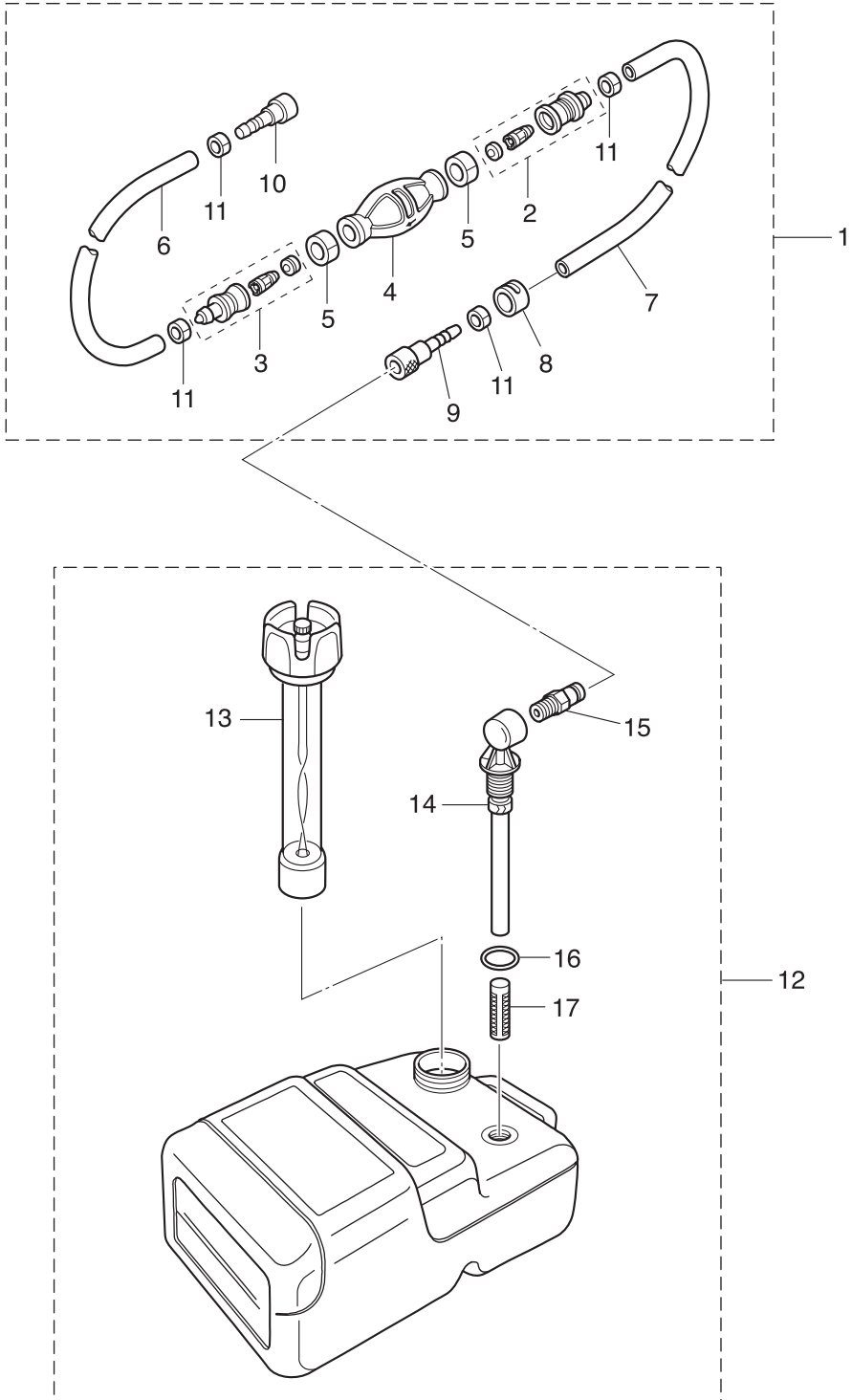
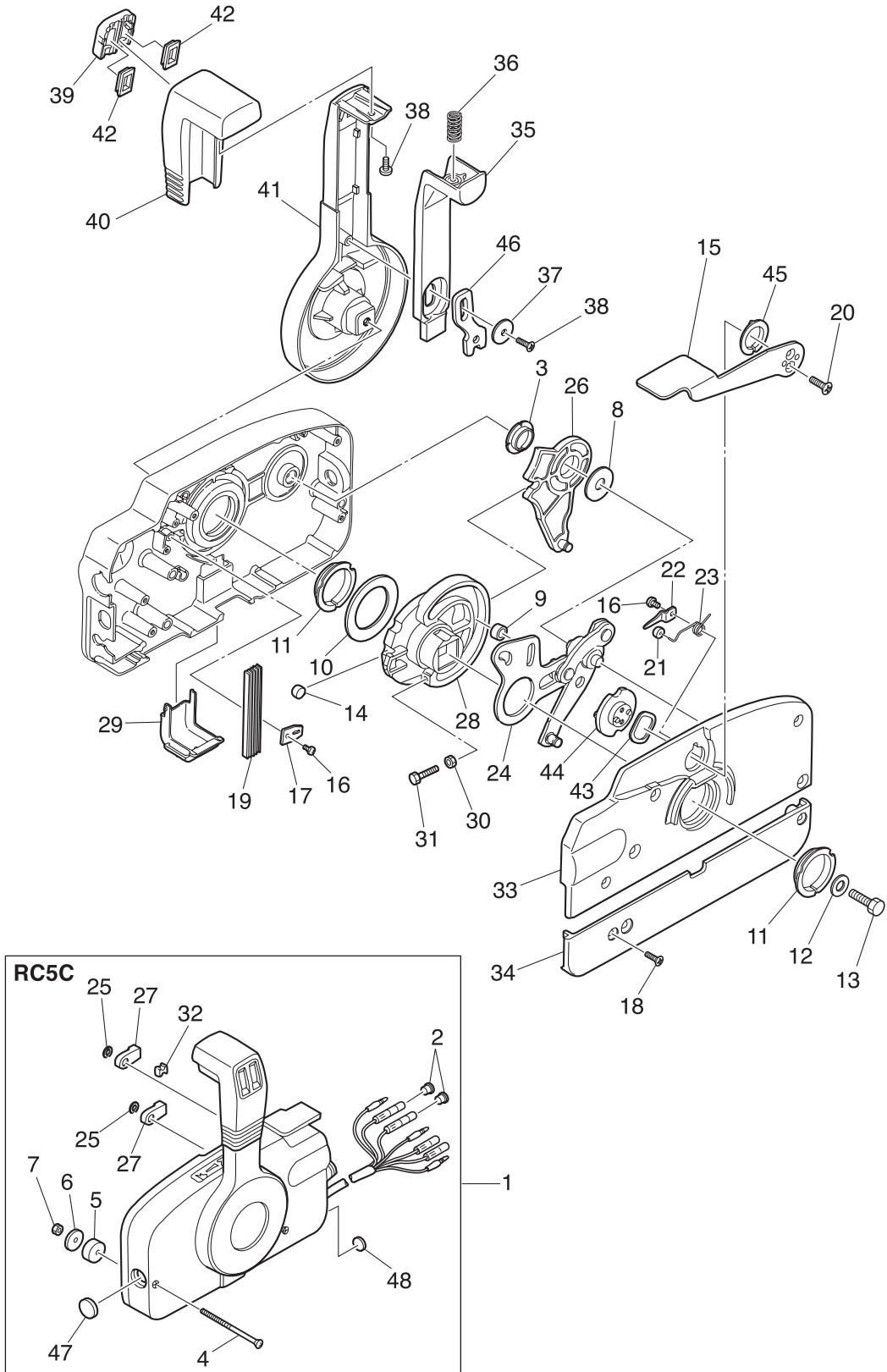






Fig. 18

COMPONENT PARTS OF REMOTE CONTROL



Ref.No.	Part No.	Description	Q'ty	Remarks
			M40C	
18-1	3B7Q84350-3	REMOTE CONTROL HEAD ASSY (RC5C)	1	RC5C for EP
18-2	3A3-76037-0	* CABLE TERMINAL PLUG	2	
18-3	3A3-84432-0	* BUSHING	1	
18-4	3A3-84375-0	* SCREW	3	
18-5	3A3-84374-0	* SPACER	3	
18-6	353-84371-0	* WASHER	3	
18-7	930103-0600	* NUT	3	
18-8	3A3-84383-0	* WASHER	1	
18-9	3A3-84421-0	* ROLLER	1	
18-10	3A3-84422-0	* THRUST PLATE	1	
18-11	3A3-84431-0	* BUSHING	2	
18-12	940103-0800	* WASHER	1	
18-13	3A3-84442-0	* BOLT	1	
18-14	353-84388-0	* DETENT ROLLER	1	
18-15	3B7Q84312-0	* FREE THROTTLE LEVER	1	
18-16	921503-0406	* SCREW	2	
18-17	3A3-84423-0	* DETENT RETAINER	1	
18-18	921603-0518	* SCREW	5	
18-19	3A3-84307-0	* DETENT SPRING	5	
18-20	921603-0512	* SCREW	2	
18-21	3A3-84424-0	* FREE THROTTLE ROLLER	1	
18-22	3A3-84426-0	* ROLLER RETAINER	1	
18-23	3A3-84425-0	* FREE THROTTLE SPRING	1	
18-24	3A3-84365-1	* THROTTLE ARM	1	
18-25	945303-0600	* E-RING d=6	2	
18-26	3A3-84381-0	* SHIFT GEAR ASSY	1	
18-27	3A3-83314-2	* CABLE TERMINAL	2	
18-28	3A3-84364-2	* DRIVE GEAR	1	
18-29	3A3-84429-0	* WIRE COVER	1	

Fig. 18

COMPONENT PARTS OF REMOTE CONTROL

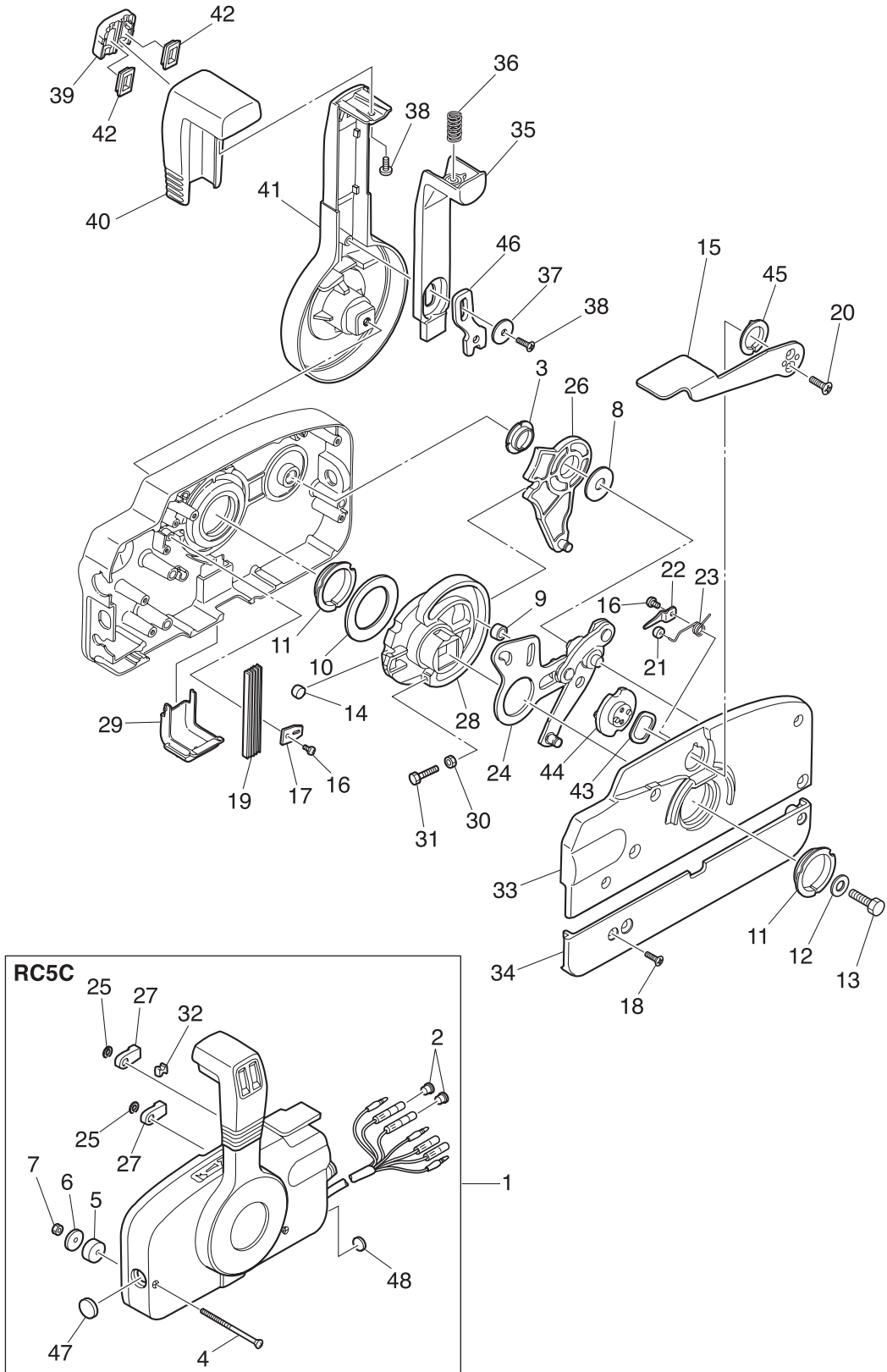




Fig. 19

COMPONENT PARTS OF REMOTE CONTROL (ELECTRIC PARTS)

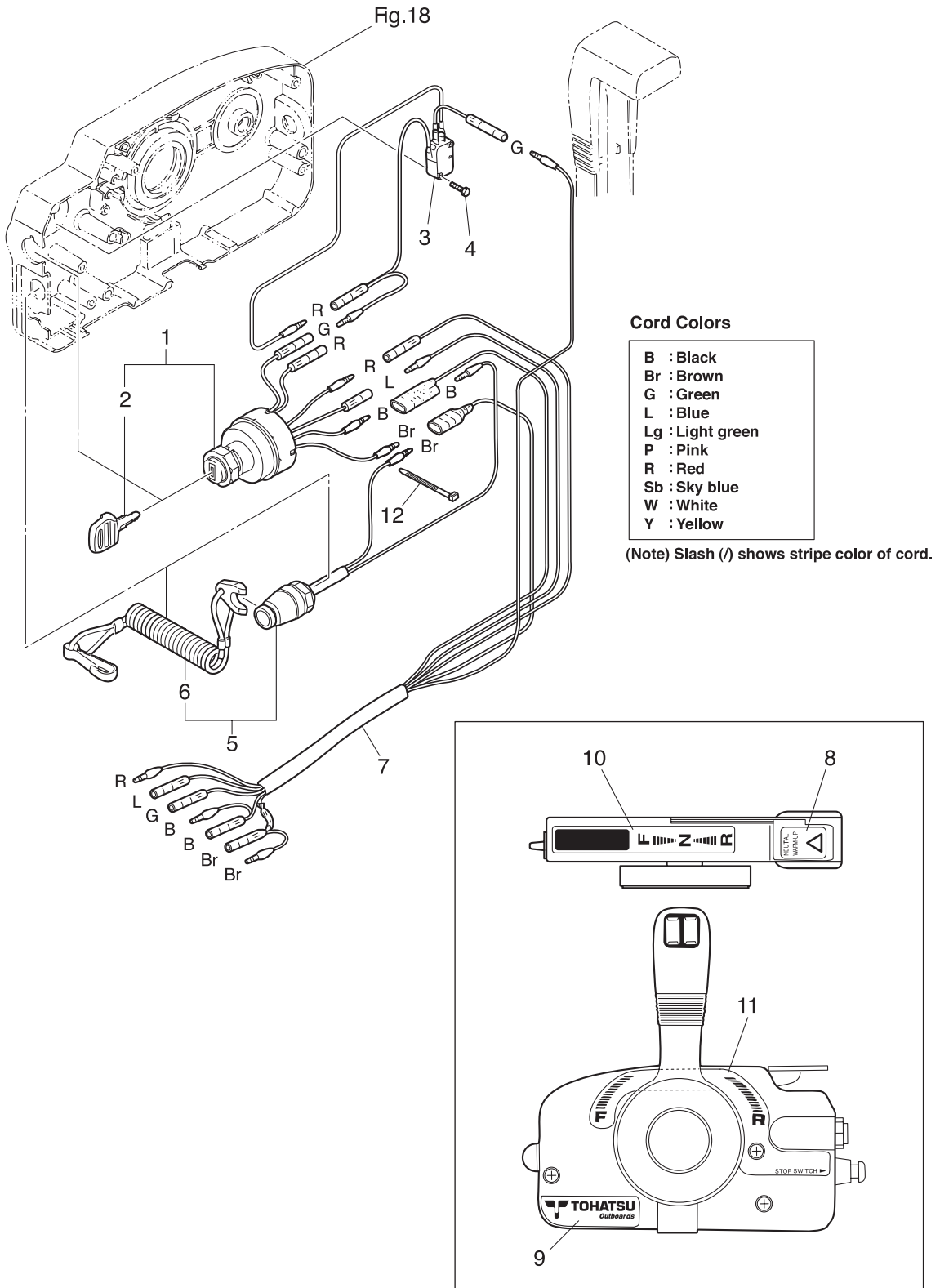
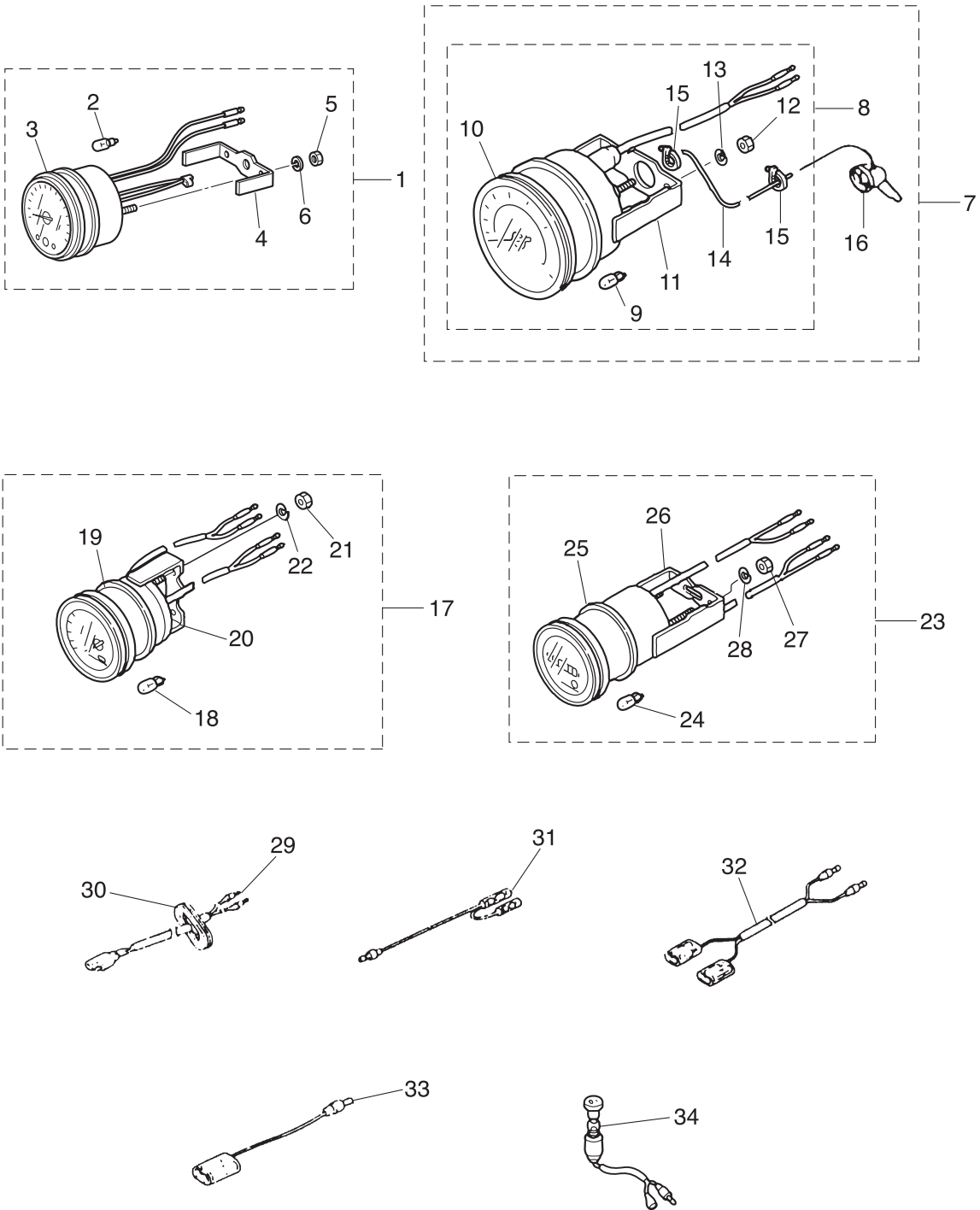




Fig. 20

OPTIONAL PARTS • ACCESSORIES (1)





Ref.No.	Part No.	Description	Q' ty	Remarks
			M40C	
20-1	3B7-72530-2	TACHOMETER ASSY	1	
20-2	3B7-72659-0	* METER BULB 12V-1.8W	1	
20-3	3B7-72656-0	* METER DAMPER	1	
20-4	3B7-72661-0	* FITTING PLATE	1	
20-5	930103-0500	* NUT	2	
20-6	941303-0500	* SPRING WASHER	2	
20-7	1 3E0-72522-0	SPEEDOMETER KIT (50MPH)	1	
20-7	2 3E0-72644-0	SPEEDOMETER KIT (75MPH)	1	
20-8	1 3E0-72648-0	* SPEEDOMETER ASSY (50MPH)	1	
20-8	2 3E0-72649-0	* SPEEDOMETER ASSY (75MPH)	1	
20-9	3B7-72659-0	** METER BULB 12V-1.8W	1	
20-10	3B7-72656-0	** METER DAMPER	1	
20-11	3B7-72661-0	** FITTING PLATE	1	
20-12	930203-0500	** NUT	2	
20-13	941303-0500	** SPRING WASHER	2	
20-14	3B7-72650-0	** SPEEDOMETER TUBE L=6000	1	
20-15	3B7-72651-0	** SPEEDOMETER BAND	2	
20-16	3B7-72643-0	* SPEEDOMETER SENSOR	1	
20-17	3E0-72529-0	VOLTMETER ASSY	1	
20-18	3B7-72657-0	* METER BULB 12V-1.7W	1	
20-19	3B7-72655-0	* METER DAMPER	1	
20-20	3B7-72662-0	* FITTING PLATE	1	
20-21	930203-0400	* NUT	2	
20-22	941303-0400	* SPRING WASHER	2	
20-23	3E0-72524-0	HOUR METER ASSY	1	
20-24	3B7-72657-0	* METER BULB 12V-1.7W	1	
20-25	3B7-72655-0	* METER DAMPER	1	
20-26	3B7-72664-0	* FITTING PLATE	1	
20-27	930203-0400	* NUT	2	

Fig. 20

OPTIONAL PARTS • ACCESSORIES (1)

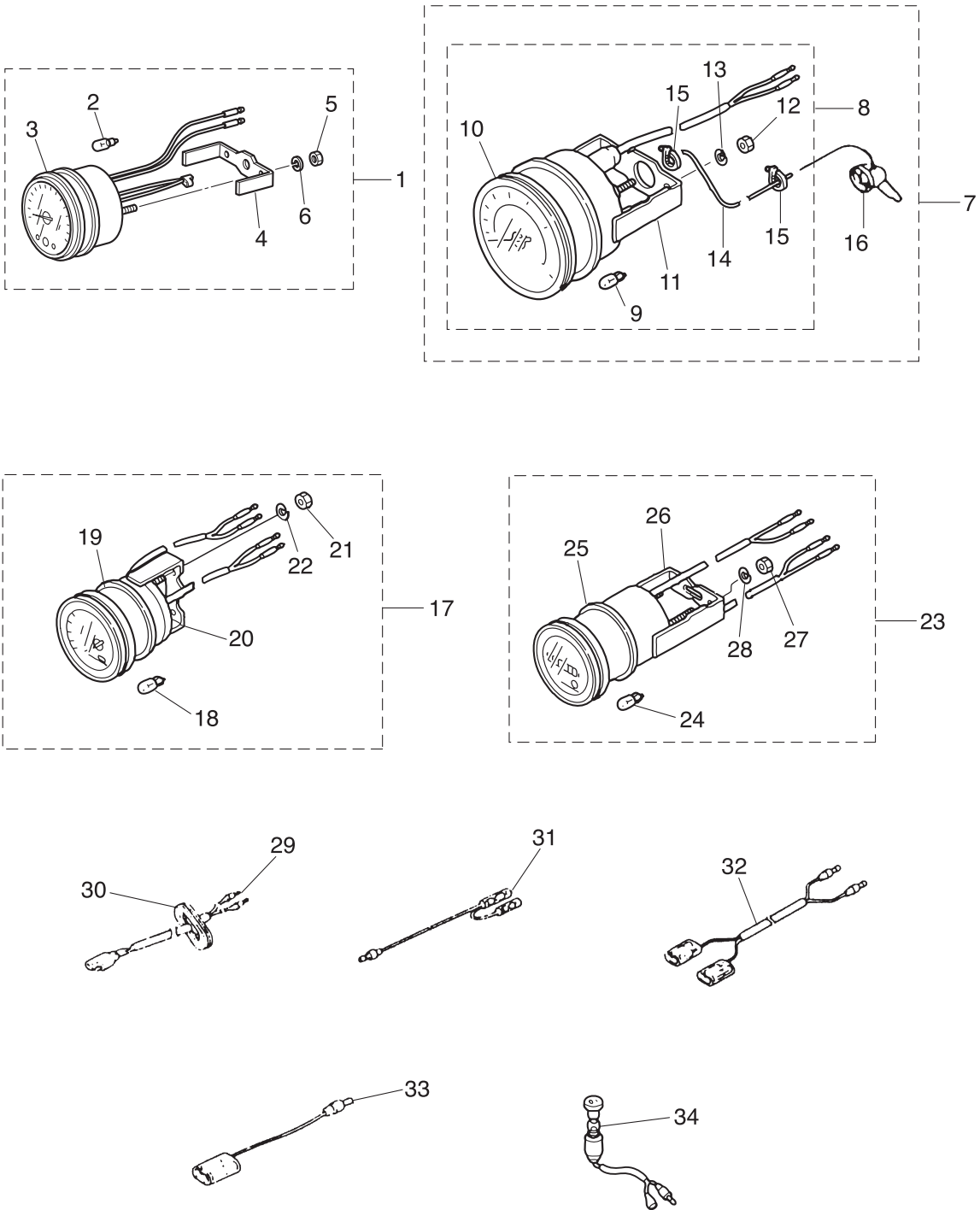
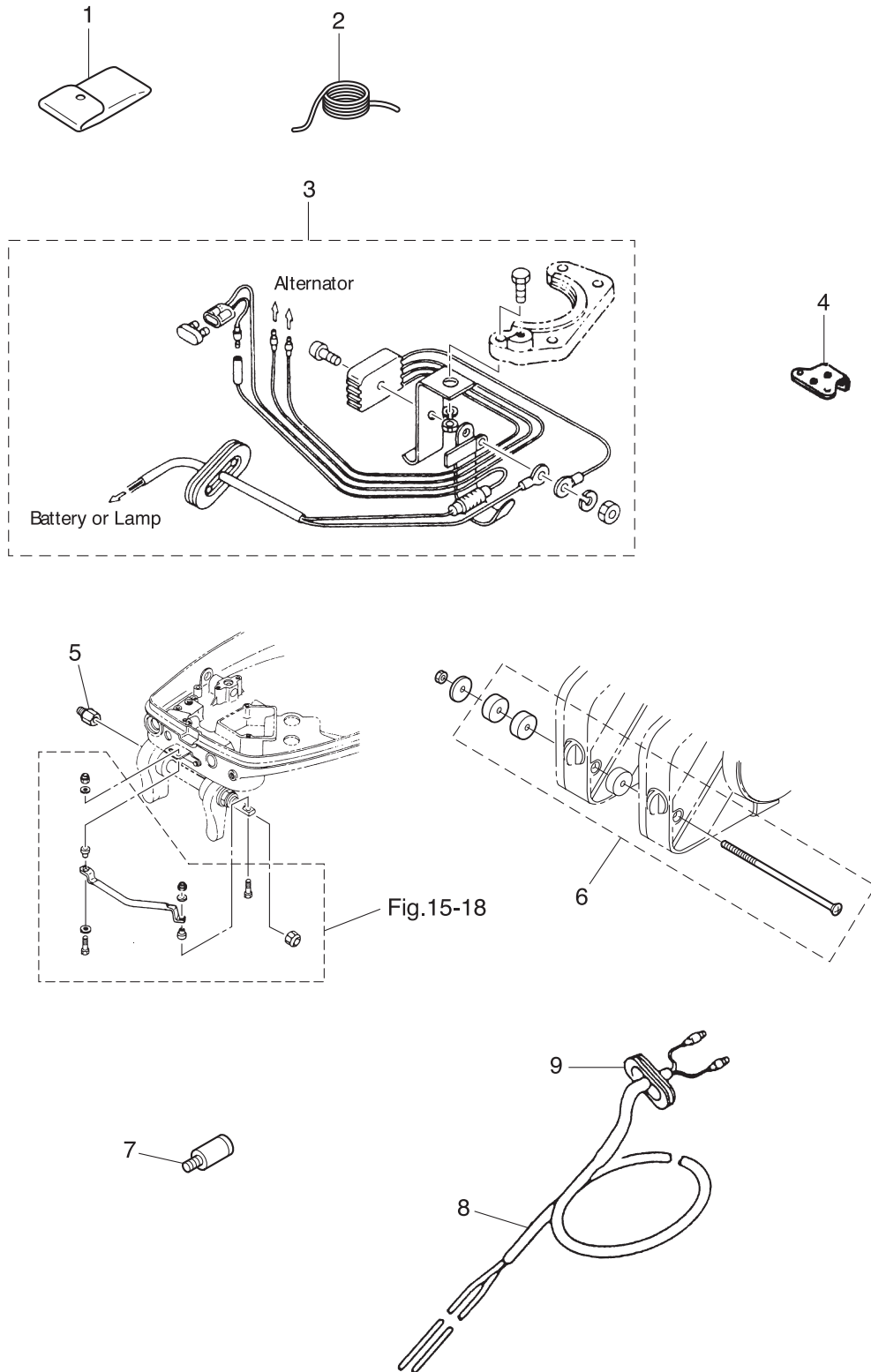


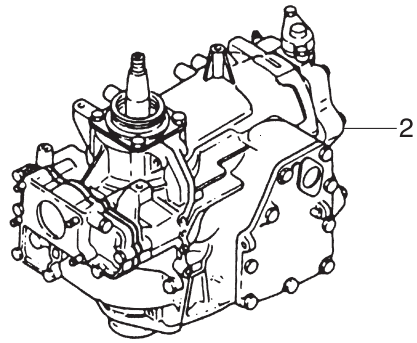
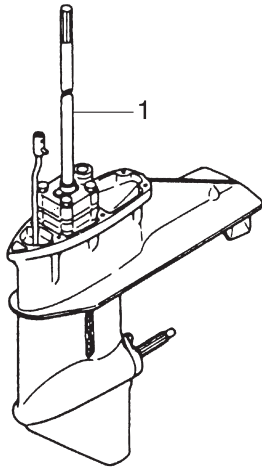


Fig. 21

OPTIONAL PARTS • ACCESSORIES (2)







CARBURETOR REPAIR KIT — 3

POWER HEAD GASKET SET — 4

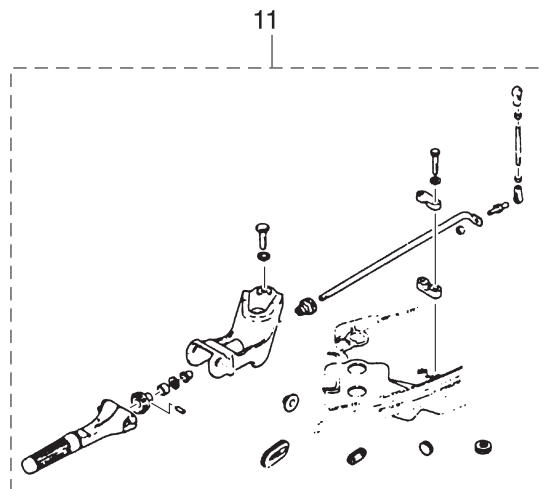
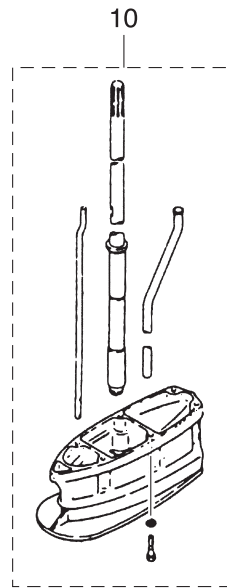
WATER PUMP REPAIR KIT — 5

WATER PUMP KIT (CHROME PLATED) — 6

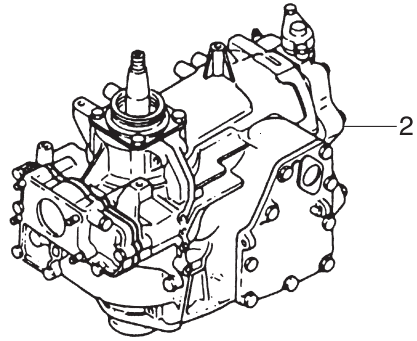
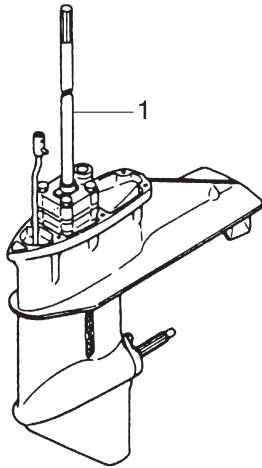
LOWER UNIT GASKET SET — 7

ELECTRIC STARTER KIT (P TYPE) — 8

ELECTRIC STARTER KIT (F TYPE) — 9



Ref.No.	Part No.	Description	Q' ty	Remarks	
			M40C		
22-1	1	361Q87301-1	LOWER UNIT ASSY (S)	1	for Transom "S"
22-1	2	361Q87302-1	LOWER UNIT ASSY (L)	1	for Transom "L"
22-2		3C1B87090-5	ENGINE SHORT BLOCK KIT	1	
22-3	1	345-87122-4	CARBURETOR REPAIR KIT	1	
22-3	2	345-02011-3	* CARBURETOR GASKET	1	
22-3	3	336-03293-0	* O-RING	1	
22-3	4	336-03222-0	* FLOAT CHAMBER O-RING 1.9-64	1	
22-3	5	922503-6412	* SCREW	4	
22-3	6	334-03231-1	* FLOAT	1	
22-3	7	334-03232-0	* FLOAT ARM PIN	1	
22-3	8	3B7-03240-0	* FLOAT VALVE	1	
22-3	9	345-03243-0	* O-RING 1.3-5.7	1	
22-3	10	344-03244-0	* CLIP	1	
22-3	11	334-03242-0	* VALVE PIN	1	
22-3	12	346-03265-0	* STOP SCREW	1	
22-3	13	345-03266-0	* PILOT SCREW	1	
22-4	1	361-87121-5	POWER HEAD GASKET SET	1	
22-4	2	345-01005-1	* CYLINDER HEAD GASKET	1	
22-4	3	346-01032-0	* THERMOSTAT CAP GASKET	1	
22-4	4	345-02305-1	* EXHAUST COVER GASKET	1	
22-4	5	126-00121-0	* OIL SEAL 30-45-8	1	Crankshaft (Upper)
22-4	6	345-00122-0	* OIL SEAL 25-55-10	1	Crankshaft (Lower)
22-4	7	338-01403-0	* O-RING 2-55.5	1	Magneto Basement
22-4	8	345-02104-0	* INTAKE MANIFOLD GASKET	1	
22-4	9	345-02105-0	* INTAKE MANIFOLD GASKET	1	
22-4	10	345-02011-3	* CARBURETOR GASKET	1	



CARBURETOR REPAIR KIT — 3

POWER HEAD GASKET SET — 4

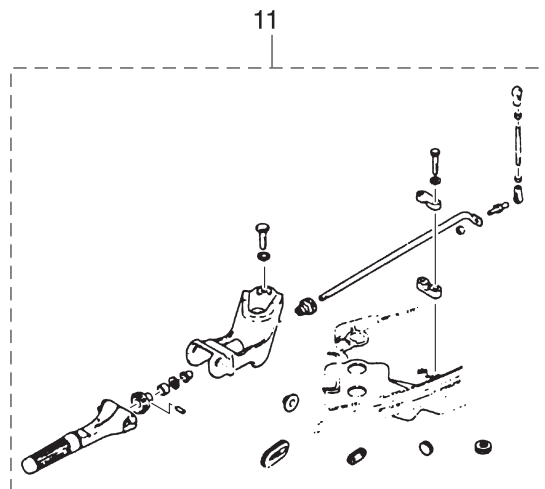
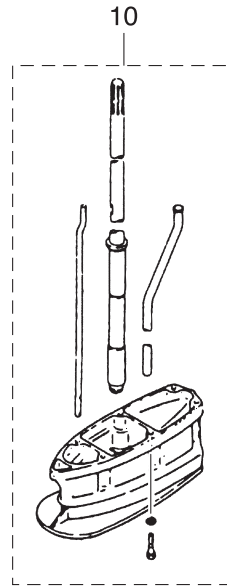
WATER PUMP REPAIR KIT — 5

WATER PUMP KIT (CHROME PLATED) — 6

LOWER UNIT GASKET SET — 7

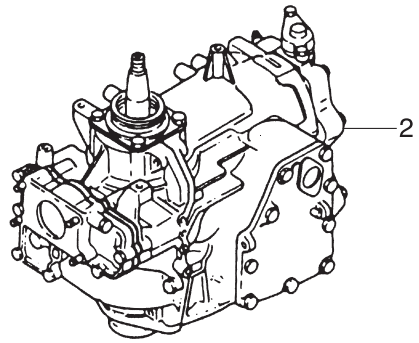
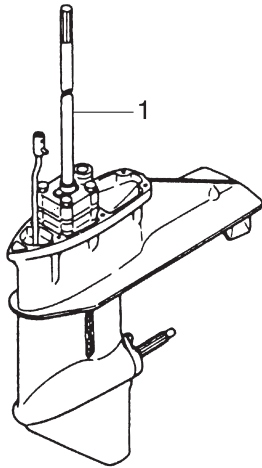
ELECTRIC STARTER KIT (P TYPE) — 8

ELECTRIC STARTER KIT (F TYPE) — 9





Ref.No.	Part No.	Description	Q' ty	Remarks	
			M40C		
22-4	11	336-03293-0	* O-RING	1	Drain Screw
22-4	12	336-03222-0	* FLOAT CHAMBER O-RING 1.9-64	1	
22-4	13	346-04901-2	* GASKET	1	Fuel Pump
22-4	14	350-05136-0	* O-RING 2.5-4.5	1	Starter Handle
22-4	15	345-61012-1	* DRIVE SHAFT HOUSING GASKET	1	
22-4	16	345-01303-1	* ENGINE BASEMENT GASKET	1	
22-4	17	345-01215-0	* OIL SEAL 17-30-8	1	Engine Basement
22-5	1	361-87322-0	WATER PUMP REPAIR KIT	1	
22-5	2	332-65022-0	* KEY	1	Pump Impeller
22-5	3	345-65021-0	* WATER PUMP IMPELLER	1	
22-5	4	348-65011-0	* PUMP CASE LINER	1	
22-5	5	348-65025-0	* WATER PUMP GUIDE PLATE	1	
22-5	6	348-65029-1	* GUIDE PLATE GASKET	1	
22-5	7	348-65018-0	* PUMP CASE GASKET	1	
22-5	8	9101E3-5652	* BOLT	4	
22-6	1	361-65231-0	WATER PUMP KIT (CHROME PLATED)	1	
22-6	2	345-65021-0	* WATER PUMP IMPELLER	1	
22-6	3	361-65238-0	* PUMP CASE LINER	1	Chrome Plated
22-6	4	361-65239-0	* WATER PUMP GUIDE PLATE	1	Chrome Plated
22-6	5	348-65018-0	* PUMP CASE GASKET	1	
22-6	6	348-65029-1	* GUIDE PLATE GASKET	1	
22-7	1	361-87321-0	LOWER UNIT GASKET SET	1	
22-7	2	332-60006-0	* GASKET 8.1-15-1	3	Gesr Case Engine Basement
22-7	3	345-60103-0	* O-RING 3.5-69.4	1	Propeller Shaft Housing
22-7	4	334-60223-0	* OIL SEAL 22-36-10	1	Propeller Shaft
22-7	5	332-60111-0	* OIL SEAL 17-33-9.5	1	Pump Case (Lower)



CARBURETOR REPAIR KIT — 3

POWER HEAD GASKET SET — 4

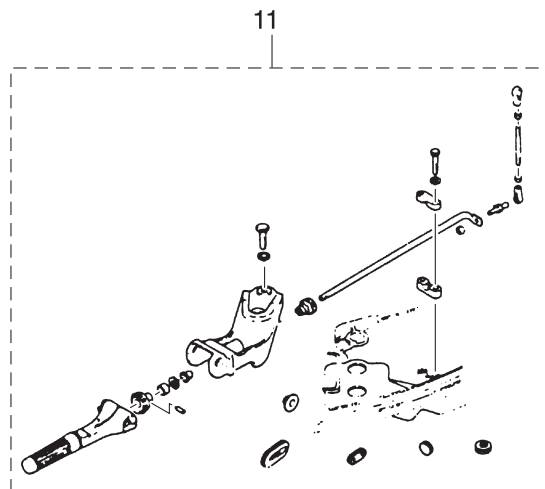
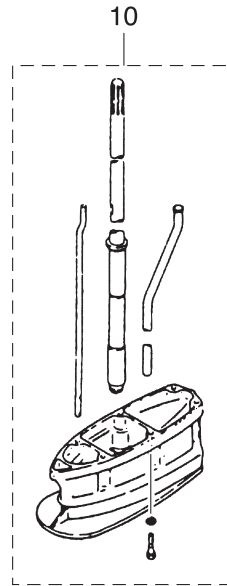
WATER PUMP REPAIR KIT — 5

WATER PUMP KIT (CHROME PLATED) — 6

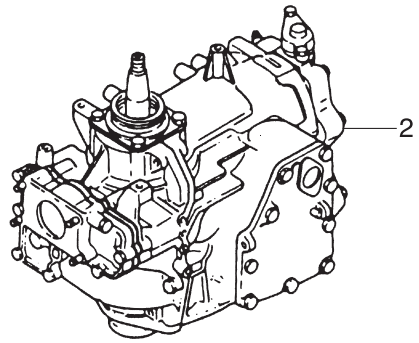
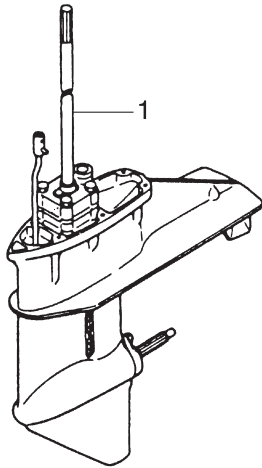
LOWER UNIT GASKET SET — 7

ELECTRIC STARTER KIT (P TYPE) — 8

ELECTRIC STARTER KIT (F TYPE) — 9



Ref.No.		Part No.	Description	Q'ty M40C	Remarks
22-7	6	345-65015-0	* O-RING3.2-47	1	Pump Case (Lower)
22-7	7	348-65029-1	* GUIDE PLATE GASKET	1	
22-7	8	348-65018-0	* PUMP CASE GASKET	1	
22-7	9	345-66021-0	* O-RING 1.9-6.8	2	Cam Rod
22-7	10	332-66032-0	* O-RING 2.4-15.4	1	Cam Rod Bushing
22-7	11	301-66025-0	* GASKET 6.2-11-1	1	Bushing Stopper
22-8	1	361-76000-1	ELECTRIC STARTER KIT (P)	1	for MF⇒EP use Remote Control Fitting
22-8	2	346-76010-0	* STARTER MOTOR ASSY	1	
22-8	3	910103-0830	* BOLT	2	
22-8	4	345-06971-0	* CLAMP 9-12U	2	
22-8	5	930103-0800	* NUT	2	
22-8	6	941303-0800	* SPRING WASHER	2	
22-8	7	346-76040-0	* STARTER SOLENOID	1	
22-8	8	361-76055-1	* CHOKE SOLENOID BRACKET	1	
22-8	9	345-76081-0	* NEUTRAL SWITCH BRACKET	1	
22-8	10	910103-0618	* BOLT	2	
22-8	11	930103-0600	* NUT	4	
22-8	12	941303-0600	* SPRING WASHER	5	
22-8	13	3G2-76060-0	* RECTIFIER COMPLETE	1	
22-8	14	921503-0525	* SCREW	1	
22-8	15	930103-0500	* NUT	1	
22-8	16	941303-0500	* SPRING WASHER	1	
22-8	17	353-06281-0	* CABLE TERMINAL HOLDER	1	
22-8	18	353-06283-0	* COLLAR 6.4-10-4.7	2	
22-8	19	910103-0620	* BOLT	2	
22-8	20	309-06972-0	* CLAMP 6.5-47.5P	3	
22-8	21	910103-0645	* BOLT	1	
22-8	22	128-02605-1	* SPACER 6-8-28.5	1	



CARBURETOR REPAIR KIT — 3

POWER HEAD GASKET SET — 4

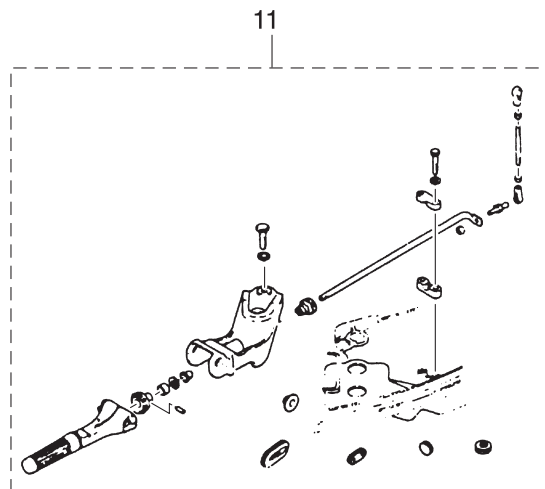
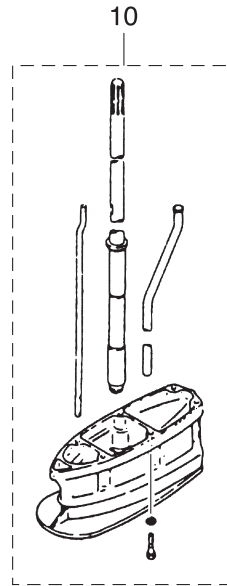
WATER PUMP REPAIR KIT — 5

WATER PUMP KIT (CHROME PLATED) — 6

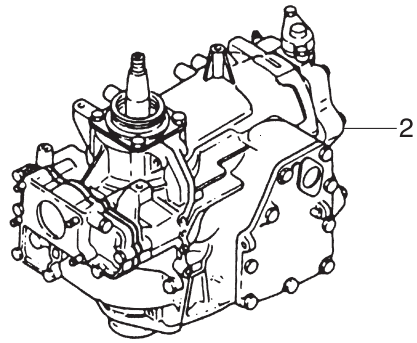
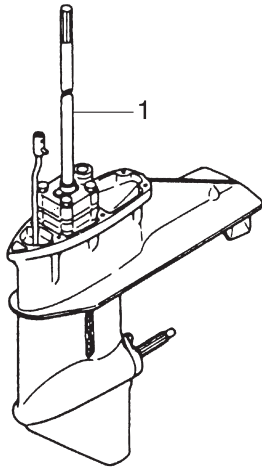
LOWER UNIT GASKET SET — 7

ELECTRIC STARTER KIT (P TYPE) — 8

ELECTRIC STARTER KIT (F TYPE) — 9



Ref.No.	Part No.	Description	Q' ty	Remarks	
			M40C		
22-8	23	910903-6616	* BOLT	2	
22-8	24	3B2-76062-0	* FUSE WIRE ASSY L=355	1	
22-8	25	3B2-76120-1	* BATTERY CABLE L=2000	1	
22-8	26	334-76141-1	* STARTER CABLE L=150	1	
22-8	27	910103-0612	* BOLT	1	
22-8	28	3B2-76147-2	* STARTER CABLE L=200	1	
22-8	29	3A3-76145-0	* TERMINAL CAP	2	
22-8	30	3B7-76145-0	* TERMINAL CAP	1	
22-8	31	336-76091-0	* LEAD WIRE BAND 100	2	
22-8	32	361-76050-0	* CHOKE SOLENOID	1	
22-8	33	346-76057-0	* CHOKE SOLENOID HOOK	1	
22-8	34	951403-0312	* SPRING PIN 3-12	1	
22-8	35	345-76072-1	* ROD	1	
22-8	36	930403-0400	* NYLON NUT 4-P0.7	1	
22-8	37	921503-6408	* SCREW	3	
22-9	1	361-76300-0	ELECTRIC STARTER KIT (F)	1	for MF⇒EF
22-9	2	346-76010-0	* STARTER MOTOR ASSY	1	
22-9	3	910103-0830	* BOLT	2	
22-9	4	345-06971-0	* CLAMP 9-12U	2	
22-9	5	930103-0800	* NUT	2	
22-9	6	941303-0800	* SPRING WASHER	2	
22-9	7	346-76040-0	* STARTER SOLENOID	1	
22-9	8	361-76055-1	* CHOKE SOLENOID BRACKET	1	
22-9	9	941303-0600	* SPRING WASHER	5	
22-9	10	930103-0600	* NUT	4	
22-9	11	361-76080-0	* NEUTRAL SWITCH	1	
22-9	12	361-76082-0	* NEUTRAL SWITCH OPERATING LEVER	1	Neutral Switch Plate
22-9	13	398-76083-0	* NEUTRAL SWITCH ACTUATOR	1	



CARBURETOR REPAIR KIT — 3

POWER HEAD GASKET SET — 4

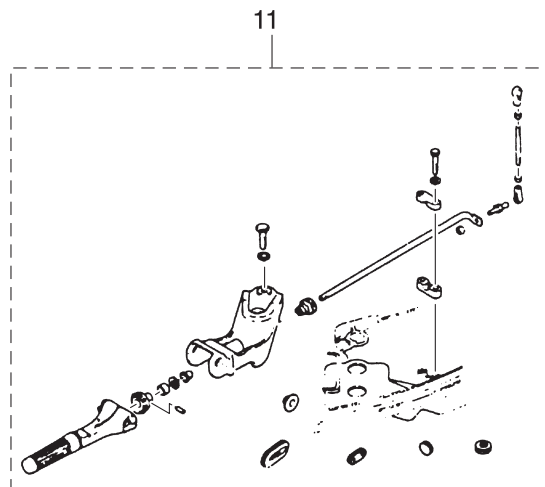
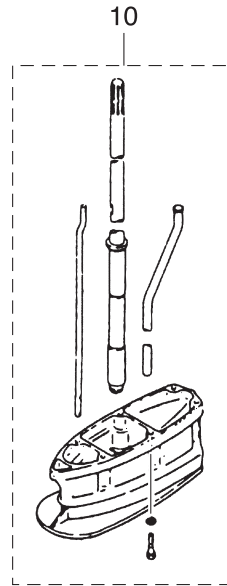
WATER PUMP REPAIR KIT — 5

WATER PUMP KIT (CHROME PLATED) — 6

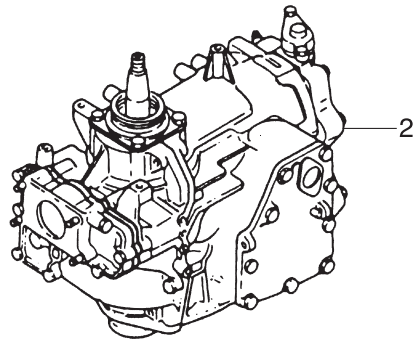
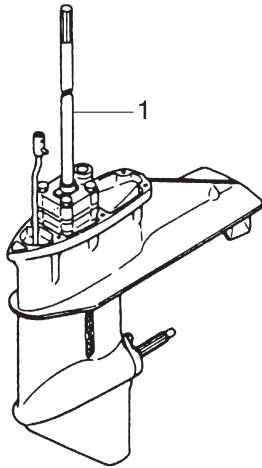
LOWER UNIT GASKET SET — 7

ELECTRIC STARTER KIT (P TYPE) — 8

ELECTRIC STARTER KIT (F TYPE) — 9



Ref.No.	Part No.	Description	Q' ty	Remarks	
			M40C		
22-9	14	910103-0645	* BOLT	1	
22-9	15	128-02605-1	* SPACER 6-8-28.5	1	
22-9	16	910903-6616	* BOLT	2	
22-9	17	3B2-76062-0	* FUSE WIRE ASSY L=355	1	
22-9	18	3B2-76120-1	* BATTERY CABLE L=2000	1	
22-9	19	334-76141-1	* STARTER CABLE L=150	1	
22-9	20	910103-0612	* BOLT	1	
22-9	21	3B2-76147-2	* STARTER CABLE L=200	1	
22-9	22	3A3-76145-0	* TERMINAL CAP	2	
22-9	23	3B7-76145-0	* TERMINAL CAP	1	
22-9	24	336-76091-0	* LEAD WIRE BAND 100	2	
22-9	25	361-76026-0	* MAIN SWITCH ASSY	1	
22-9	26	345-76081-0	* NEUTRAL SWITCH BRACKET	1	
22-9	27	910103-0618	* BOLT	2	
22-9	28	3G2-76060-0	* RECTIFIER COMPLETE	1	
22-9	29	921503-0525	* SCREW	1	
22-9	30	930103-0500	* NUT	1	
22-9	31	941303-0500	* SPRING WASHER	1	
22-9	32	353-06281-0	* CABLE TERMINAL HOLDER	1	
22-9	33	353-06283-0	* COLLAR 6.4-10-4.7	2	
22-9	34	910103-0620	* BOLT	2	
22-9	35	309-06972-0	* CLAMP 6.5-47.5P	3	
22-9	36	3M4-76084-0	* SPACER 12-14-2.2	1	
22-9	37	3B7-63731-0	* WASHER 12.5-24-1	1	
22-10	1	348Q87314-0	EXTENSION HOUSING KIT (UL)	1	for Transom "L" ⇒ "UL"
22-10	2	345Q61110-0	* EXTENSION HOUSING	1	
22-10	3	9101E3-5840	* BOLT	6	
22-10	4	345-64303-0	* DRIVE SHAFT (UL)	1	



CARBURETOR REPAIR KIT — 3

POWER HEAD GASKET SET — 4

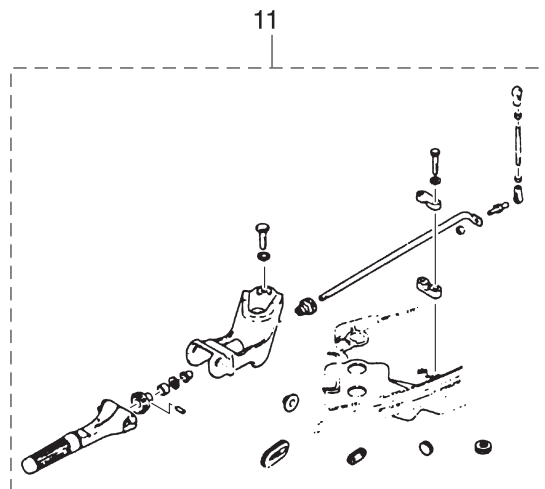
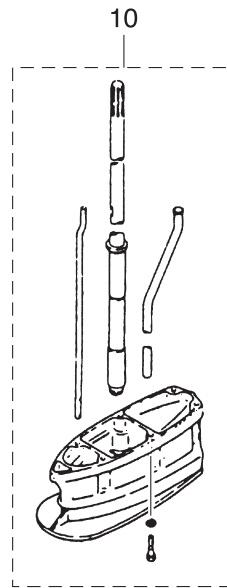
WATER PUMP REPAIR KIT — 5

WATER PUMP KIT (CHROME PLATED) — 6

LOWER UNIT GASKET SET — 7

ELECTRIC STARTER KIT (P TYPE) — 8

ELECTRIC STARTER KIT (F TYPE) — 9





Ref.No.	Part No.	Description	Q' ty	Remarks	
			M40C		
22-10	5	345-65120-1	* WATER PIPE (UL)	1	
22-10	6	348-66014-0	* CAM ROD (UL)	1	
22-11	1	361Q63000-5	TILLER HANDLE KIT	1	
22-11	2	398Q63003-1	* TILLER HANDLE ASSY	1	
22-11	3	350-63046-0	* BUSHING 8.4-10-11	1	
22-11	4	346-63064-0	* UNIVERSAL PINION	1	
22-11	5	348-63061-0	* THROTTLE SHAFT	1	
22-11	6	345-63063-0	* THROTTLE SHAFT SUPPORT	2	
22-11	7	9101F4-0630	* BOLT	2	
22-11	8	940103-0600	* WASHER	2	
22-11	9	345-66226-0	* GROMMET 17-3	1	
22-11	10	361-83728-0	* PIN	1	
22-11	11	930103-0600	* NUT	1	
22-11	12	3AA-83719-0	* WASHER 8.5-18-1.6	1	
22-11	13	951603-0800	* SNAP PIN d=8	1	
22-11	14	940103-0800	* WASHER	1	
22-11	15	3B7-63733-0	* ROD SNAP 5-2.5	1	
22-11	16	348-63715-1	* ROD 5-75L	1	
22-11	17	346-63066-1	* COLLAR 15.9-17-9	1	
22-11	18	951403-0414	* SPRING PIN 4-14	1	
22-11	19	345-67161-0	* GROMMET 22-3	1	
22-11	20	345Q63051-0	* STEERING BRACKET	1	
22-11	21	9101E3-5825	* BOLT	2	
22-11	22	345-83732-0	* GROMMET	1	
22-11	23	345-67117-0	* GROMMET 17-2.7	1	

# INDEX

<A>			
ADJUSTING NUT	12-15	BOLT	13-30
ADVANCER ARM	1-68	BOLT	13-34
AIR INTAKE BAFFLE	13-21	BOLT	14-9
ALTERNATOR ASSY	6-8	BOLT	14-14
ANODE	1-21	BOLT	15-10
ANODE	11-3	BOLT	15-13
ASSIST CORD (BLK) L=200	20-33-3	BOLT	15-15
ASSIST CORD (BLU) L=200	20-33-2	BOLT	18-13
ASSIST CORD (RED) L=200	20-33-1	BOLT	18-31
<B>		BOLT	22-5-8
BALL 5/16	14-12	BOLT	22-8-3
BALL BEARING 6007	10-7	BOLT	22-8-10
BALL JOINT	6-24	BOLT	22-8-19
BALL JOINT	15-2	BOLT	22-8-21
BALL JOINT CONNECTOR	1-63	BOLT	22-8-23
BALL JOINT HOLDER	15-3	BOLT	22-8-27
BAND	19-12	BOLT	22-9-3
BATTERY CABLE L=2000	7-46	BOLT	22-9-14
BATTERY CABLE L=2000	22-8-25	BOLT	22-9-16
BATTERY CABLE L=2000	22-9-18	BOLT	22-9-20
BEVEL GEAR ASSY (A)	10-12	BOLT	22-9-27
BEVEL GEAR B	9-5	BOLT	22-9-34
BEVEL GEAR C	10-13	BOLT	22-10-3
BIG END BEARING WASHER	2-11	BOLT	22-11-7
BOLT	1-6	BOLT	22-11-21
BOLT	1-7	BOLT 3/8-45	15-20
BOLT	1-8	BOTTOM COWL	13-1
BOLT	1-14	BRACKET	1-32
BOLT	1-20	BRUSH HOLDER	7-3
BOLT	1-22	BUSHING	3-52
BOLT	1-25	BUSHING	11-17
BOLT	1-31	BUSHING	18-3
BOLT	1-57	BUSHING	18-11
BOLT	1-69	BUSHING	18-45
BOLT	3-8	BUSHING 10.2-12-29.5	11-67
BOLT	3-10	BUSHING 10-12.8-42.5	14-3
BOLT	3-48	BUSHING 14.7-15.9-6	5-5
BOLT	5-13	BUSHING 26-32	11-46
BOLT	5-18	BUSHING 6.2-16-5	1-60
BOLT	5-27	BUSHING 6.2-16-5	3-16
BOLT	5-29	BUSHING 8.1-20	11-36
BOLT	5-32	BUSHING 8.4-10-11	12-11
BOLT	6-4	BUSHING 8.4-10-11	12-27
BOLT	6-32	BUSHING 8.4-10-11	22-11-3
BOLT	6-38	BUSHING 8-14-4	1-55
BOLT	6-42	BUSHING 8-14-4	1-70
BOLT	7-7	<C>	
BOLT	7-12	CABLE CLIP ASSY	15-9
BOLT	7-16	CABLE TERMINAL	18-27
BOLT	7-24	CABLE TERMINAL HOLDER	7-33
BOLT	7-34	CABLE TERMINAL HOLDER	22-8-17
BOLT	8-4-1	CABLE TERMINAL HOLDER	22-9-32
BOLT	8-4-2	CABLE TERMINAL PLUG	6-21
BOLT	8-6	CABLE TERMINAL PLUG	6-50
BOLT	8-13	CABLE TERMINAL PLUG	18-2
BOLT	8-15	CAM ROD (L)	9-26-2
BOLT	8-19	CAM ROD (S)	9-26-1
BOLT	8-21	CAM ROD (UL)	22-10-6
BOLT	9-6	CAM ROD BUSHING	9-28
BOLT	9-25	CAP NUT	5-33
BOLT	9-34	CAP NUT	11-12
BOLT	10-4	CARBURETOR ASSY	4-1
BOLT	10-11	CARBURETOR GASKET	3-19
BOLT	11-1	CARBURETOR GASKET	22-3-2
BOLT	11-4	CARBURETOR GASKET	22-4-10
BOLT	11-24	CARBURETOR REPAIR KIT	22-3-1
BOLT	11-43	CAUTION DECAL (A)	16-10
BOLT	11-53	CAUTION DECAL (B)	6-30
BOLT	11-72	CAUTION DECAL (C)	5-39
BOLT	11-73	CD UNIT	6-31
BOLT	12-5	CHECK VALVE	1-27
BOLT	12-17	CHECK VALVE	3-30
BOLT	12-19	CHECK VALVE ASSY	1-5
BOLT	12-22	CHOKE ROD	3-20
BOLT	13-4	CHOKE ROD	3-21
BOLT	13-14	CHOKE ROD	13-6
BOLT	13-22	CHOKE ROD CONNECTER	3-22
BOLT	13-29	CHOKE SOLENOID	7-22
		CHOKE SOLENOID	22-8-32
		CHOKE SOLENOID BRACKET	7-15
		CHOKE SOLENOID BRACKET	22-8-8
		CHOKE SOLENOID BRACKET	22-9-8
		CHOKE SOLENOID HOOK	7-40
		CHOKE SOLENOID HOOK	22-8-33
		CLAMP	17-5
		CLAMP	17-11
		CLAMP 6.5-47.5P	1-38
		CLAMP 6.5-47.5P	6-27
		CLAMP 6.5-47.5P	6-36
		CLAMP 6.5-47.5P	7-27
		CLAMP 6.5-47.5P	7-35
		CLAMP 6.5-47.5P	22-8-20
		CLAMP 6.5-47.5P	22-9-35
		CLAMP 6-9.5L	1-30
		CLAMP 6-9.5L	13-26
		CLAMP 6-9.5L	15-16
		CLAMP 9-12U	7-8
		CLAMP 9-12U	22-8-4
		CLAMP 9-12U	22-9-4
		CLAMP BRACKET (L)	11-5
		CLAMP BRACKET (R)	11-2
		CLAMP SCREW	11-78
		CLAMP SCREW ASSY	11-77
		CLAMP SCREW HANDLE	11-79
		CLAMP SCREW KIT	11-76
		CLAMP SCREW PAD	11-81
		CLIP	4-12
		CLIP	22-3-10
		CLIP PLATE	4-13
		CLIP $\phi$ 10	3-38
		CLIP $\phi$ 7	1-29
		CLIP $\phi$ 8	1-28
		CLUTCH	10-17
		CLUTCH CABLE CLIP BRACKET	15-12
		CLUTCH CAM	9-31
		COIL PLATE ASSY W/ALTERNATOR	6-6
		COIL PLATE STOPPER	6-23
		COLLAR 15.9-17-9	12-25
		COLLAR 15.9-17-9	22-11-17
		COLLAR 18-20-4.5	9-39
		COLLAR 20-31.7-3	11-56
		COLLAR 6.2-9-7.4	6-45
		COLLAR 6.4-10-4.7	7-36
		COLLAR 6.4-10-4.7	22-8-18
		COLLAR 6.4-10-4.7	22-9-33
		COLLAR 9.8-12.7-7.5	12-20
		CONNECTING ROD	2-9
		CONTROL LEVER	18-41
		CORD ASSY	19-7
		COVER HOOK	13-13
		CRANK PIN	2-8
		CRANKSHAFT A	2-4
		CRANKSHAFT B	2-5
		CRANKSHAFT C	2-6
		CRANKSHAFT D	2-7
		CRANKSHAFT SUB-ASSY	2-3
		C-RING d=25	11-22
		C-RING d=30	2-18
		C-RING d=40	11-59
		CUP	3-40
		CYL BLOCK & CRANKCASE ASSY	1-1
		CYLINDER HEAD ASSY	1-11
		CYLINDER HEAD GASKET	1-13
		CYLINDER HEAD GASKET	22-4-2
		<D>	
		DAMPER (UPPER)	11-52
		DAMPER (UPPER)	11-57
		DAMPER CAP	11-55
		DECAL (LEVER)	19-8
		DECAL (TOHATSU)	19-9
		DECAL SET (M40C)	16-11
		DETENT RETAINER	18-17
		DETENT ROLLER	18-14
		DETENT SPRING	18-19
		DIAPHRAGM GASKET	3-28
		DIAPHRAGM GASKET SET	3-29
		DISTANCE PIECE	11-6
		DOWEL PIN	1-4



NYLON NUT 4-P0.7	22-8-36	PROPELLER ASSY (9")	10-23-2	SCREW	3-15
NYLON NUT 6-P1.0	12-6	PROPELLER HARDWARE KIT	10-24	SCREW	3-23
NYLON NUT 7/8-14	11-11	PROPELLER NUT	10-28	SCREW	3-26
NYLON NUT 8-P1.25	1-56	PROPELLER SHAFT	10-16	SCREW	3-31
NYLON NUT 8-P1.25	1-72	PROPELLER SHAFT HOUSING	10-6	SCREW	3-34
<O>		PROPELLER SHAFT HOUSING ASSY	10-5	SCREW	3-50
OIL SEAL 10-20-4	14-2	PULSAR COIL	6-7	SCREW	4-6
OIL SEAL 17-30-8	8-12	PUMP CASE (LOWER)	9-18	SCREW	4-14
OIL SEAL 17-30-8	22-4-17	PUMP CASE (UPPER)	9-15	SCREW	6-9
OIL SEAL 17-33-9.5	9-19	PUMP CASE GASKET	9-21	SCREW	6-11
OIL SEAL 17-33-9.5	22-7-5	PUMP CASE GASKET	22-5-7	SCREW	6-13
OIL SEAL 22-36-10	10-9	PUMP CASE GASKET	22-6-5	SCREW	6-14
OIL SEAL 22-36-10	22-7-4	PUMP CASE GASKET	22-7-8	SCREW	6-15
OIL SEAL 25-55-10	2-1	PUMP CASE LINER	9-16	SCREW	6-16
OIL SEAL 25-55-10	22-4-6	PUMP CASE LINER	22-5-4	SCREW	6-26
OIL SEAL 30-45-8	6-2	PUMP CASE LINER	22-6-3	SCREW	6-48
OIL SEAL 30-45-8	22-4-5	PUMP COVER	3-25	SCREW	7-30
O-RING	4-4	PUMP DIAPHRAGM	3-27	SCREW	7-39
O-RING	17-16	PUSH ROD	10-22	SCREW	9-11
O-RING	22-3-3	<Q>		SCREW	12-8
O-RING	22-4-11	QUICK-CONNECTOR (MALE)	17-15	SCREW	13-27
O-RING 1.3-5.7	4-11	<R>		SCREW	15-17
O-RING 1.3-5.7	22-3-9	RATCHET	5-4	SCREW	16-5
O-RING 1.9-6.8	9-29	REAR HOUSING	18-33	SCREW	18-4
O-RING 1.9-6.8	22-7-9	REAR PANEL	18-34	SCREW	18-16
O-RING 2.4-15.4	9-30	RECOIL STARTER ASSY	5-1	SCREW	18-18
O-RING 2.4-15.4	22-7-10	RECTIFIER COMPLETE	7-28	SCREW	18-20
O-RING 2.4-5.8	14-17	RECTIFIER COMPLETE	22-8-13	SCREW	18-38
O-RING 2.5-4.5	5-23	RECTIFIER COMPLETE	22-9-28	SCREW	19-4
O-RING 2.5-4.5	22-4-14	RECTIFIER KIT	21-3	SCREW	22-3-5
O-RING 2-49.5	2-14	REED VALVE ASSY	3-5	SCREW	22-8-14
O-RING 2-55.5	6-3	REED VALVE SEAT GASKET	3-9	SCREW	22-8-37
O-RING 2-55.5	22-4-7	REEL ASSY	5-3	SCREW	22-9-29
O-RING 3.2-4.7	9-20	REMOTE CONTROL FITTING ASSY	15-1	SEAL RING	15-23
O-RING 3.5-25.7	11-19	REMOTE CONTROL HEAD ASSY (RC5C)	18-1	SEAL RING 13.8-22-3.7	13-9
O-RING 3.5-69.4	10-10	REMOTE CONTROL STOP CORD ASSY L=3900	15-24-1	SEALING PLATE	5-25
O-RING 3.5-69.4	22-7-3	REMOTE CONTROL STOP CORD ASSY L=5900	15-24-2	SEPARATE CORD	20-31-1
O-RING 3.2-4.7	22-7-6	RETAINER 50-60-1.6	2-2	SEPARATE CORD	20-31-2
<P>		RETAINER 56-66-1.6	2-17	SETTING PIECE	11-69
PICK-UP ELBOW ASSY (25L)	17-14	RETURN SPRING	5-8	SETTING PLATE	11-68
PILOT AIR JET (#120)	4-20	RETURN SPRING	5-9	SETTING RING	6-25
PILOT SCREW	4-24	REVERSE LOCK	11-25	SHIFT GEAR ASSY	18-26
PILOT SCREW	22-3-13	REVERSE LOCK ARM	11-26	SHIFT LEVER	14-1
PIN	1-47	REVERSE LOCK LEVER	11-31	SHIFT LEVER STOP HOLDER	14-10
PIN	1-78	REVERSE LOCK LEVER GRIP	11-32	SHIFT LEVER STOPPER	14-8
PIN	10-18	REVERSE LOCK LEVER SPRING	11-40	SHIFT POSITION DECAL	19-10
PIN	22-11-10	REVERSE LOCK LINK	11-39	SHIFT POSITION SIDE DECAL	19-11
PINION ASSY	7-2	REVERSE LOCK ROD	11-29	SHIFT ROD	14-16
PISTON	2-24-1	REVERSE LOCK SPRING (L)	11-41-1	SHIFT ROD JOINT	9-32
PISTON (0.5 O/S)	2-24-2	REVERSE LOCK SPRING (S)	11-41-2	SHIFT ROD LEVER	14-6
PISTON PIN	2-25	RIVET 3-22	11-80	SHIM 31-42	2-20
PISTON PIN CLIP	2-26	ROD	7-42	SHIM 33-40-7-0.5	11-58
PISTON REPAIR KIT	2-23-1	ROD	22-8-35	SHIM 36-44-0.1	10-14-3
PISTON REPAIR KIT (0.5 O/S)	2-23-2	ROD 5-75L	1-62	SHIM 36-44-0.15	10-14-2
PISTON RING	2-28-1	ROD 5-75L	1-74	SHIM 36-44-0.3	10-14-1
PISTON RING	2-29-1	ROD 5-75L	22-11-16	SHIM 41-51.5-0.1	9-7-1
PISTON RING (0.5 O/S)	2-28-2	ROD JOINT $\phi$ 5	1-46	SHIM 41-51.5-0.15	9-7-2
PISTON RING (0.5 O/S)	2-29-2	ROD JOINT $\phi$ 5	1-75	SHIM 41-51.5-0.3	9-7-3
PISTON RING SET	2-27-1	ROD SNAP 3.5-2	1-42	SHIM 41-51.5-0.5	9-7-4
PISTON RING SET (0.5 O/S)	2-27-2	ROD SNAP 3.5-2	1-65	SHIM t=0.2	14-11
PIVOT BOLT	11-27	ROD SNAP 3.5-2	1-73	SHOULDER BOLT	11-82
PLATE	3-7	ROD SNAP 5-2.5	1-61	SHOULDER BOLT 6-8	11-34
PLATE	3-45	ROD SNAP 5-2.5	1-67	SLOW JET (#110)	4-18
PLATE	6-41	ROD SNAP 5-2.5	1-76	SNAP	10-19
PLATE	18-46	ROD SNAP 5-2.5	22-11-15	SNAP PIN d=8	1-48
PLUG 8-8	9-3	ROLLER	18-9	SNAP PIN d=8	1-80
PLUG CAP W/RESISTANCE	6-29	ROLLER BEARING 17-21-27	2-22	SNAP PIN d=8	22-11-13
PLUG CAP W/RESISTANCE	6-51	ROLLER BEARING 22-30-30	9-2	SPACER	12-12
PLUG SCREW	4-21	ROLLER BEARING 22-30-30	10-8	SPACER	15-19
PLUG SCREW	4-26	ROLLER BEARING 25-32-20	2-10	SPACER	18-5
PLUG SCREW WASHER	4-27	ROLLER RETAINER	18-22	SPACER 12-14-2.2	7-53
PLUNGER	7-23	ROPE ANCHOR	5-22	SPACER 12-14-2.2	22-9-36
POSITIVE BRUSH	7-4	ROPE ANCHOR PLATE	5-24	SPACER 30.2-40-2.3	2-19
POWER HEAD GASKET SET	22-4-1	ROPE GUIDE	5-17	SPACER 6-8-28.5	7-26
PRIMER BULB	17-4	RUBBER MOUNT (LOWER)	11-51	SPACER 6-8-28.5	22-8-22
PRIMER BULB ASSY	17-1	RUBBER MOUNT (UPPER)	11-48	SPACER 6-8-28.5	22-9-15
PROPELLER ASSY (10")	10-23-3	RUBBER MOUNT 8.5-12-2	6-46	SPACER 8.4-12-17	13-3
PROPELLER ASSY (11")	10-23-4	RUBBER MOUNT 9-16-4.3	6-44	SPARK PLUG (BR7HS10)	1-16
PROPELLER ASSY (12")	10-23-5	RUBBER MOUNT RETAINER	8-20	SPARK PLUG DECAL (BR7HS10)	13-39
PROPELLER ASSY (13")	10-23-6	<S>		SPEEDOMETER ASSY (50MPH)	20-8-1
PROPELLER ASSY (14")	10-23-7	SAFETY ROPE $\phi$ 6-1600	21-2	SPEEDOMETER ASSY (75MPH)	20-8-2
PROPELLER ASSY (7")	10-23-8	SCREW	1-36	SPEEDOMETER BAND	20-15
PROPELLER ASSY (8.5")	10-23-1	SCREW	3-6	SPEEDOMETER KIT (50MPH)	20-7-1

SPEEDOMETER KIT (75MPH).....	20-7-2	STOP SWITCH LANYARD ASSY.....	13-25	WASHER.....	11-62
SPEEDOMETER SENSOR.....	20-16	STOP SWITCH LANYARD ASSY.....	19-6	WASHER.....	11-74
SPEEDOMETER TUBE L=6000.....	20-14	STOPPER.....	9-35	WASHER.....	12-26
SPLIT PIN 2-12.....	11-30	STOPPER.....	10-26	WASHER.....	13-23
SPLIT PIN 3-25.....	10-29	STOPPER.....	11-33	WASHER.....	13-35
SPRING.....	4-23	STUD.....	1-33	WASHER.....	14-15
SPRING.....	4-25	STUD.....	1-52	WASHER.....	16-7
SPRING.....	10-20	STUD.....	3-1	WASHER.....	18-6
SPRING.....	12-16	STUD.....	3-11	WASHER.....	18-8
SPRING.....	14-13	STUD.....	8-7	WASHER.....	18-12
SPRING.....	15-5	STUD.....	11-49	WASHER.....	18-37
SPRING PIN.....	11-70	SWITCH PROTECTOR.....	7-49	WASHER.....	22-11-8
SPRING PIN 3-10.....	12-13	SWIVEL BRACKET.....	11-15	WASHER.....	22-11-14
SPRING PIN 3-12.....	7-41	SWIVEL BRACKET SHAFT ASSY.....	11-10	WASHER 10.5-18-1.5.....	14-5
SPRING PIN 3-12.....	9-33	<T>		WASHER 12.5-24-1.....	7-54
SPRING PIN 3-12.....	22-8-34	TACHOMETER ASSY.....	20-1	WASHER 12.5-24-1.....	22-9-37
SPRING PIN 3-16.....	5-11	TACHOMETER LEAD WIRE L=6000.....	20-29	WASHER 14-22-1.....	13-11
SPRING PIN 3-16.....	9-27	TAPERED ROLLER BEARING 32007.....	10-1	WASHER 16-28-3.2.....	6-20
SPRING PIN 3-6.....	2-15	TAPERED ROLLER BEARING 32304.....	9-9	WASHER 17-32-3.....	10-27
SPRING PIN 4-14.....	12-24	TERMINAL CAP.....	7-20	WASHER 21-40-3.4.....	11-54
SPRING PIN 4-14.....	22-11-18	TERMINAL CAP.....	7-47	WASHER 22.1-28-3.....	10-15
SPRING RETAINER.....	10-21	TERMINAL CAP.....	22-8-29	WASHER 5.5-14-1.2.....	15-6
SPRING WASHER.....	1-50	TERMINAL CAP.....	22-8-30	WASHER 6.5-21-1.....	13-5
SPRING WASHER.....	3-13	TERMINAL CAP.....	22-9-22	WASHER 6.5-23-1.5.....	5-6
SPRING WASHER.....	5-14	TERMINAL CAP.....	22-9-23	WASHER 6-16-1.5.....	3-17
SPRING WASHER.....	5-19	THERMOSTAT.....	1-17	WASHER 6-16-1.5.....	6-33
SPRING WASHER.....	5-28	THERMOSTAT CAP.....	1-18	WASHER 6-16-1.5.....	6-43
SPRING WASHER.....	5-30	THERMOSTAT CAP GASKET.....	1-19	WASHER 6-16-1.5.....	11-28
SPRING WASHER.....	6-34	THERMOSTAT CAP GASKET.....	22-4-3	WASHER 6-16-1.5.....	11-38
SPRING WASHER.....	6-39	THROTTLE ARM.....	18-24	WASHER 6-16-1.5.....	13-15
SPRING WASHER.....	7-10	THROTTLE CAM.....	3-14	WASHER 8.1-16-1.5.....	1-71
SPRING WASHER.....	7-13	THROTTLE DECAL.....	12-4	WASHER 8.1-16-1.5.....	8-5
SPRING WASHER.....	7-17	THROTTLE LIMITER ARM.....	1-41	WASHER 8.5-18-1.6.....	1-49
SPRING WASHER.....	7-25	THROTTLE LIMITER ROD.....	1-43	WASHER 8.5-18-1.6.....	1-79
SPRING WASHER.....	7-32	THROTTLE ROD.....	1-64	WASHER 8.5-18-1.6.....	11-37
SPRING WASHER.....	7-37	THROTTLE SHAFT.....	12-9	WASHER 8.5-18-1.6.....	22-11-12
SPRING WASHER.....	8-14	THROTTLE SHAFT.....	13-32	WASHER 8.5-19-5-3.2.....	1-15
SPRING WASHER.....	15-8	THROTTLE SHAFT.....	22-11-5	WASHER 8.5-19-5-3.2.....	1-54
SPRING WASHER.....	15-11	THROTTLE SHAFT DAMPER.....	12-10	WASHER 9.6-18-2.....	15-22
SPRING WASHER.....	16-8	THROTTLE SHAFT SUPPORT.....	13-33	WATER PIPE (L).....	9-37-2
SPRING WASHER.....	20-6	THROTTLE SHAFT SUPPORT.....	22-11-6	WATER PIPE (S).....	9-37-1
SPRING WASHER.....	20-13	THRUST HOLDER.....	10-25	WATER PIPE (UL).....	22-10-5
SPRING WASHER.....	20-22	THRUST PLATE.....	18-10	WATER PIPE AUXILIARY MOUNT.....	9-40-1
SPRING WASHER.....	20-28	THRUST PLATE (LOWER) 26.5-46-1.....	11-18	WATER PIPE AUXILIARY MOUNT.....	9-40-2
SPRING WASHER.....	22-8-6	THRUST PLATE (UPPER) 27-50-1.....	11-47	WATER PIPE SEAL (LOWER).....	9-17
SPRING WASHER.....	22-8-12	THRUST ROD.....	11-13	WATER PIPE SEAL (UPPER).....	9-38
SPRING WASHER.....	22-8-16	THRUST ROD SPRING.....	11-14	WATER PUMP GUIDE PLATE.....	9-23
SPRING WASHER.....	22-9-6	TILLER HANDLE.....	12-3	WATER PUMP GUIDE PLATE.....	22-5-5
SPRING WASHER.....	22-9-9	TILLER HANDLE ASSY.....	12-1	WATER PUMP GUIDE PLATE.....	22-6-4
SPRING WASHER.....	22-9-31	TILLER HANDLE ASSY.....	22-11-2	WATER PUMP IMPELLER.....	9-13
STARTER CABLE L=150.....	7-21	TILLER HANDLE KIT.....	22-11-1	WATER PUMP IMPELLER.....	22-5-3
STARTER CABLE L=150.....	22-8-26	TILLER HANDLE SUB-ASSY.....	12-2	WATER PUMP IMPELLER.....	22-6-2
STARTER CABLE L=150.....	22-9-19	TILT HANDLE.....	16-4	WATER PUMP KIT (CHROME PLATED).....	22-6-1
STARTER CABLE L=200.....	7-19	TILT STOPPER.....	11-66	WATER PUMP REPAIR KIT.....	22-5-1
STARTER CABLE L=200.....	22-8-28	TILT SWITCH COVER.....	18-39	WATER STRAINER.....	9-10
STARTER CABLE L=200.....	22-9-21	TILT SWITCH PLUG.....	18-42	WAVE WASHER.....	18-43
STARTER CASE.....	5-2	TOOL KIT.....	21-1	WAVE WASHER d=10.....	1-59
STARTER HANDLE.....	5-20	TOP COWL ASSY.....	16-1	WAVE WASHER d=10.....	3-18
STARTER LOCK ARM.....	1-40	TOP COWL SEAL L=1550.....	16-3	WAVE WASHER d=10.....	12-18
STARTER LOCK LEVER.....	5-38	TOP COWL SUB-ASSY.....	16-2	WAVE WASHER d=14.....	13-12
STARTER LOCK LEVER SHAFT.....	5-26	TRIM TAB.....	10-2	WELCH PLUG.....	1-12
STARTER LOCK ROD.....	1-44	TRIM TAB GASKET.....	10-3	WIRE COVER.....	18-29
STARTER LOCK ROD.....	5-34	TURNING BUCKLE PLATE.....	21-4		
STARTER LOCK SPRING.....	5-36	TWIN REMOTE CONTROL KIT.....	21-6		
STARTER MOTOR ASSY.....	7-1	<U>			
STARTER MOTOR ASSY.....	22-8-2	UNIVERSAL PINION.....	12-23		
STARTER MOTOR ASSY.....	22-9-2	UNIVERSAL PINION.....	22-11-4		
STARTER PULLEY.....	5-31	<V>			
STARTER ROPE $\phi$ 5-2000.....	5-21	VALVE PIN.....	4-15		
STARTER SEAL.....	16-9	VALVE PIN.....	22-3-11		
STARTER SHAFT.....	5-12	VOLTMETER ASSY.....	20-17		
STARTER SOLENOID.....	7-11	<W>			
STARTER SOLENOID.....	22-8-7	WASHER.....	1-9		
STARTER SOLENOID.....	22-9-7	WASHER.....	1-34		
STARTER SPRING.....	5-10	WASHER.....	1-53		
STEERING BRACKET.....	12-21	WASHER.....	1-58		
STEERING BRACKET.....	22-11-20	WASHER.....	3-44		
STEERING HOOK.....	15-14	WASHER.....	5-15		
STEERING SHAFT ASSY.....	11-45	WASHER.....	5-35		
STOP SCREW.....	4-22	WASHER.....	11-8		
STOP SCREW.....	22-3-12	WASHER.....	11-9		
STOP SWITCH ASSY.....	13-24	WASHER.....	11-35		
STOP SWITCH ASSY.....	19-5	WASHER.....	11-60		

# INDEX (Parts Number)

126-00121-0	6-2	338-60218-2	11-3	345-05104-1	5-3	345-65204-0	9-40-2
126-00121-0	22-4-5	338-67147-0	13-9	345-05105-1	5-2	345-65205-0	9-39
128-02605-1	7-26	338Q67141-0	13-8	345-05122-1	5-6	345-65206-0	9-38
128-02605-1	22-8-22	344-03244-0	4-12	345-05123-1	5-8	345-66021-0	9-29
128-02605-1	22-9-15	344-03244-0	22-3-10	345-05124-0	5-9	345-66021-0	22-7-9
301-66024-1	9-35	344-05116-0	5-25	345-05132-0	5-12	345-66031-1	9-28
301-66025-0	9-36	344-67177-1	11-16	345-05134-0	5-24	345-66115-0	14-10
301-66025-0	22-7-11	344-67177-1	11-21	345-05135-1	5-5	345-66119-0	14-11
309-06972-0	1-38	344-67503-0	16-9	345-05213-0	1-41	345-66121-0	14-8
309-06972-0	6-27	345-00011-0	2-29-1	345-05216-0	5-36	345-66137-0	14-2
309-06972-0	6-36	345-00014-0	2-29-2	345-05217-1	5-34	345-66225-0	14-6
309-06972-0	7-27	345-00021-1	2-25	345-05221-1	1-43	345-66226-0	12-28
309-06972-0	7-35	345-00040-1	2-9	345-05222-1	1-44	345-66226-0	13-31
309-06972-0	22-8-20	345-00042-0	2-22	345-05223-1	1-42	345-66226-0	22-11-9
309-06972-0	22-9-35	345-00043-0	2-10	345-05223-1	1-65	345-66241-0	9-32
332-60005-2	9-3	345-00045-0	2-11	345-05223-1	1-73	345-67101-0	14-3
332-60006-0	8-16	345-00051-0	2-13	345-05224-0	1-61	345-67113-0	13-2
332-60006-0	9-4	345-00053-0	2-14	345-05225-1	5-26	345-67114-0	13-3
332-60006-0	22-7-2	345-00113-0	2-16	345-05226-0	5-38	345-67115-0	13-5
332-60111-0	9-19	345-00114-0	2-12	345-05901-1	5-31	345-67116-0	8-10
332-60111-0	22-7-5	345-00114-0	2-21	345-06971-0	7-8	345-67117-0	13-20
332-61315-0	14-5	345-00115-0	2-17	345-06971-0	22-8-4	345-67117-0	22-11-23
332-62101-1	11-81	345-00116-0	2-19	345-06971-0	22-9-4	345-67142-1	13-13
332-65022-0	9-14	345-00117-0	1-4	345-60103-0	10-10	345-67151-0	13-6
332-65022-0	22-5-2	345-00122-0	2-1	345-60103-0	22-7-3	345-67161-0	13-19-1
332-66021-0	14-17	345-00122-0	22-4-6	345-60206-1	9-10	345-67161-0	13-19-2
332-66032-0	9-30	345-00125-0	2-2	345-60211-0	9-2	345-67161-0	22-11-19
332-66032-0	22-7-10	345-00133-0	6-20	345-60211-0	10-8	345-67169-0	20-30
332-66112-0	14-13	345-00141-0	2-20	345-60213-0	9-9	345-67169-0	21-9
332-70201-0	17-11	345-01005-1	1-13	345-60215-0	10-1	345-67183-0	13-21
332-70261-0	13-37	345-01005-1	22-4-2	345-61012-1	8-3	345-67191-1	3-20
332-83723-0	15-4	345-01015-0	1-15	345-61012-1	22-4-15	345-67192-0	3-21
332-83724-0	15-5	345-01015-0	1-54	345-61111-1	8-7	345-67193-0	13-7
332-83725-0	15-6	345-01030-0	1-17	345-61301-1	11-48	345-67194-0	3-22
332Q62102-1	11-79	345-01111-0	1-10	345-61302-1	11-51	345-67195-1	3-52
334-00024-1	2-26	345-01111-0	8-2	345-61312-1	8-20	345-76023-0	15-25
334-00131-0	6-18	345-01111-0	8-11	345-61313-0	11-49	345-76072-1	7-42
334-03231-1	4-7	345-01150-1	1-5	345-61321-2	11-53	345-76072-1	22-8-35
334-03231-1	22-3-6	345-01215-0	8-12	345-61322-2	11-62	345-76081-0	13-28
334-03232-0	4-8	345-01215-0	22-4-17	345-61331-0	11-55	345-76081-0	22-8-9
334-03232-0	22-3-7	345-01303-1	1-39	345-61332-0	11-56	345-76081-0	22-9-26
334-03241-0	4-13	345-01303-1	22-4-16	345-61333-0	11-52	345-83721-0	15-2
334-03242-0	4-15	345-01401-0	6-1	345-61333-0	11-57	345-83732-0	13-17
334-03242-0	22-3-11	345-02011-3	3-19	345-61334-0	11-54	345-83732-0	22-11-22
334-04004-0	3-25	345-02011-3	22-3-2	345-62121-1	11-13	345-83820-0	15-9
334-04005-0	3-27	345-02011-3	22-4-10	345-62122-2	11-14	345-83821-0	15-12
334-04007-0	3-28	345-02100-1	3-5	345-62417-0	11-46	345-84830-0	15-14
334-60223-0	10-9	345-02103-0	3-9	345-62441-0	11-42	345-87122-4	22-3-1
334-60223-0	22-7-4	345-02104-0	3-3	345-63048-0	12-10	345B02010-0	3-2
334-65012-0	9-22	345-02104-0	22-4-8	345-63063-0	13-33	345B02301-2	1-23
334-66233-0	1-71	345-02105-0	3-4	345-63063-0	22-11-6	345B05101-0	1-32
334-76141-1	7-21	345-02105-0	22-4-9	345-63207-0	12-20	345Q01301-0	8-9
334-76141-1	22-8-26	345-02106-0	3-7	345-63713-0	1-55	345Q60100-0	10-5
334-76141-1	22-9-19	345-02305-1	1-24	345-63713-0	1-70	345Q60101-1	10-6
336-03221-0	4-2	345-02305-1	22-4-4	345-64020-1	9-5	345Q61020-2	8-1-1
336-03222-0	4-5	345-02312-1	8-18	345-64025-0	9-6	345Q61110-0	22-10-2
336-03222-0	22-3-4	345-02314-2	8-17-1	345-64032-0	10-15	345Q63051-0	12-21
336-03222-0	22-4-12	345-02411-0	3-46	345-64081-0	9-7-1	345Q63051-0	22-11-20
336-03293-0	4-4	345-02415-0	3-47	345-64082-0	9-7-2	345Q66110-3	14-1
336-03293-0	22-3-3	345-02416-0	3-49	345-64083-0	9-7-3	345Q67100-2	13-1
336-03293-0	22-4-11	345-02417-1	3-51	345-64084-0	9-7-4	345Q67521-0	16-4
336-05014-0	5-17	345-03200-0	4-1	345-64121-0	10-28	346-01032-0	1-19
336-06973-0	1-30	345-03240-0	4-9	345-64124-0	10-27	346-01032-0	22-4-3
336-06973-0	13-26	345-03243-0	4-11	345-64217-0	10-18	346-02230-0	3-39
336-06973-0	15-16	345-03243-0	22-3-9	345-64219-0	10-19	346-02234-0	3-42
336-60007-0	21-7	345-03251-1	4-17	345-64221-0	10-20	346-02235-0	3-41
336-66319-1	11-27	345-03252-0	4-16	345-64222-0	10-21	346-02237-0	3-40
336-70112-0	13-38	345-03253-0	4-19	345-64223-0	10-22	346-03265-0	4-22
336-76091-0	6-37	345-03254-0	4-18	345-64301-0	9-8-1	346-03265-0	22-3-12
336-76091-0	7-6	345-03255-0	4-20	345-64302-0	9-8-2	346-03267-0	4-23
336-76091-0	22-8-31	345-03261-0	4-21	345-64303-0	22-10-4	346-03268-0	4-25
336-76091-0	22-9-24	345-03262-0	4-27	345-65015-0	9-20	346-04901-2	3-33
338-01133-0	1-29	345-03263-0	4-26	345-65015-0	22-7-6	346-04901-2	22-4-13
338-01403-0	6-3	345-03266-0	4-24	345-65021-0	9-13	346-05209-0	5-33
338-01403-0	22-4-7	345-03266-0	22-3-13	345-65021-0	22-5-3	346-05228-1	6-24
338-02215-0	3-38	345-03292-0	4-3	345-65021-0	22-6-2	346-05234-0	1-46
338-05019-0	5-20	345-05003-1	5-4	345-65100-1	9-37-1	346-05234-0	1-75
338-05131-0	5-22	345-05004-1	5-10	345-65110-1	9-37-2	346-06999-0	6-29
338-60218-2	1-21	345-05013-1	5-21	345-65120-1	22-10-5	346-61323-0	11-61

346-62117-1	11-6	349-66312-0	11-39	361-84901-0	21-4	3AA-83719-0	1-49
346-62124-1	11-11	349-66313-0	11-26	361-84905-1	15-18	3AA-83719-0	1-79
346-62127-0	11-12	349Q62310-3	11-15	361-84914-1	15-19	3AA-83719-0	11-37
346-62421-1	11-44	349Q62993-2	11-66	361-87121-5	22-4-1	3AA-83719-0	22-11-12
346-62424-1	11-18	350-01093-0	1-12	361-87321-0	22-7-1	3AAQ62105-0	11-76
346-62437-0	11-67	350-05136-0	5-23	361-87322-0	22-5-1	3AAQ62108-0	11-77
346-62438-0	11-69	350-05136-0	22-4-14	361-87326-0	10-24	3AC-62191-0	11-10
346-62439-1	11-68	350-06025-0	6-12	361-87801-2	16-11	3AEQ62112-2	11-2
346-63064-0	12-23	350-63046-0	12-11	361B01001-1	1-11	3AEQ62113-2	11-5
346-63064-0	22-11-4	350-63046-0	12-27	361B01100-2	1-1	3AL-05212-0	11-36
346-63066-1	12-25	350-63046-0	22-11-3	361B64109-1	10-23-3	3AL-05254-0	11-34
346-63066-1	22-11-17	350-67105-0	13-10	361B64113-1	10-23-4	3AL-66333-0	11-32
346-63201-2	12-19	353-06281-0	7-33	361B64115-1	10-23-2	3B2-70260-1	13-36
346-63721-0	1-60	353-06281-0	22-8-17	361Q60000-0	9-1	3B2-76062-0	7-44
346-63721-0	3-16	353-06281-0	22-9-32	361Q61030-1	8-1-2	3B2-76062-0	22-8-24
346-63722-2	6-22	353-06283-0	7-36	361Q63000-5	22-11-1	3B2-76062-0	22-9-17
346-65204-0	9-40-1	353-06283-0	22-8-18	361Q67640-0	16-2	3B2-76120-1	7-46
346-66321-0	11-29	353-06283-0	22-9-33	361Q67645-1	16-1	3B2-76120-1	22-8-25
346-66322-0	11-25	353-06821-0	13-25	361Q87301-1	22-1-1	3B2-76120-1	22-9-18
346-66323-1	11-40	353-06821-0	19-6	361Q87302-1	22-1-2	3B2-76147-2	7-19
346-66331-0	11-41-2	353-60219-0	10-3	369-61016-0	13-18	3B2-76147-2	22-8-28
346-66334-0	11-33	353-63723-1	6-25	369-72019-1	12-4	3B2-76147-2	22-9-21
346-76010-0	7-1	353-64036-0	10-14-1	369-76167-0	21-8	3B7-03240-0	4-10
346-76010-0	22-8-2	353-64037-0	10-14-2	393-01131-0	1-3	3B7-03240-0	22-3-8
346-76010-0	22-9-2	353-64038-0	10-14-3	393-01137-0	1-2	3B7-05243-0	1-63
346-76012-0	7-4	353-67162-0	13-16	393-01160-0	1-27	3B7-06305-0	6-44
346-76013-0	7-5	353-72521-1	20-34	398-06830-0	13-24	3B7-63731-0	7-54
346-76014-0	7-3	353-72537-0	20-32	398-62396-1	11-23	3B7-63731-0	22-9-37
346-76015-0	7-2	353-72546-0	20-33-1	398-63012-0	12-7	3B7-63733-0	1-67
346-76039-1	7-49	353-72547-0	20-33-2	398-63041-0	12-9	3B7-63733-0	1-76
346-76040-0	7-11	353-72548-0	20-33-3	398-63053-0	12-12	3B7-63733-0	22-11-15
346-76040-0	22-8-7	353-76020-3	19-1	398-76083-0	7-52	3B7-65014-0	9-17
346-76040-0	22-9-7	353-76037-0	6-21	398-76083-0	22-9-13	3B7-70200-4	17-1
346-76057-0	7-40	353-83728-1	1-47	398Q63003-1	12-1	3B7-70280-1	17-8
346-76057-0	22-8-33	353-84371-0	18-6	398Q63003-1	22-11-2	3B7-72201-0	21-2
346-76160-2	21-3	353-84388-0	18-14	398Q63011-1	12-3	3B7-72530-2	20-1
346-76212-0	7-45	353-84904-0	21-5	3A0-06002-0	6-6	3B7-72643-0	20-16
348-00032-0	2-5	353-84916-0	15-22	3A0-06023-0	6-8	3B7-72650-0	20-14
348-00033-0	2-6	353-84917-0	15-20	3A0-06322-1	6-41	3B7-72651-0	20-15
348-00034-0	2-7	353-84918-0	15-21	3A0-62423-2	11-47	3B7-72655-0	20-19
348-00061-1	2-8	356-04000-1	3-24	3A0-76079-0	6-45	3B7-72655-0	20-25
348-02231-0	3-45	356-04030-0	3-29	3A1-83722-0	15-3	3B7-72656-0	20-3
348-05233-0	6-23	356-04044-0	3-30	3A3-06830-0	19-5	3B7-72656-0	20-10
348-60217-0	10-2	361-00001-1	2-24-1	3A3-62396-1	11-64	3B7-72657-0	20-18
348-61309-0	11-58	361-00004-1	2-24-2	3A3-62396-1	11-65	3B7-72657-0	20-24
348-63061-0	13-32	361-00011-0	2-28-1	3A3-76037-0	6-50	3B7-72659-0	20-2
348-63061-0	22-11-5	361-00014-0	2-28-2	3A3-76037-0	18-2	3B7-72659-0	20-9
348-63711-1	1-68	361-00031-0	2-4	3A3-76086-1	19-3	3B7-72661-0	20-4
348-63715-1	1-62	361-00069-1	2-3	3A3-76145-0	7-20	3B7-72661-0	20-11
348-63715-1	1-74	361-02311-1	8-17-2	3A3-76145-0	22-8-29	3B7-72662-0	20-20
348-63715-1	22-11-16	361-05000-1	5-1	3A3-76145-0	22-9-22	3B7-72664-0	20-26
348-63716-1	1-64	361-05211-0	1-40	3A3-81301-0	21-6	3B7-76142-1	6-47
348-63718-0	3-14	361-06060-1	6-31	3A3-83314-2	18-27	3B7-76145-0	7-47
348-64010-1	10-12	361-06091-0	6-5	3A3-84307-0	18-19	3B7-76145-0	22-8-30
348-64030-0	10-13	361-65231-0	22-6-1	3A3-84364-2	18-28	3B7-76145-0	22-9-23
348-64211-0	10-16	361-65238-0	22-6-3	3A3-84365-1	18-24	3B7Q84312-0	18-15
348-64215-0	10-17	361-65239-0	22-6-4	3A3-84368-0	18-43	3B7Q84343-0	18-41
348-64232-0	10-26	361-67501-0	16-3	3A3-84374-0	18-5	3B7Q84350-3	18-1
348-65011-0	9-16	361-72026-0	13-39	3A3-84375-0	18-4	3B7Q84366-0	18-34
348-65011-0	22-5-4	361-72539-0	20-29	3A3-84376-0	18-32	3B7Q84441-0	18-33
348-65016-1	9-15	361-72542-0	20-31-1	3A3-84381-0	18-26	3C1-06048-0	6-28
348-65017-1	9-18	361-72543-0	20-31-2	3A3-84383-0	18-8	3C1-87123-0	2-27-1
348-65018-0	9-21	361-76000-1	22-8-1	3A3-84391-0	18-44	3C1-87124-0	2-27-2
348-65018-0	22-5-7	361-76026-0	7-48	3A3-84398-0	19-12	3C1-87130-0	2-23-1
348-65018-0	22-6-5	361-76026-0	22-9-25	3A3-84401-0	18-35	3C1-87131-0	2-23-2
348-65018-0	22-7-8	361-76050-0	7-22	3A3-84403-0	18-36	3C1B87090-5	22-2
348-65025-0	9-23	361-76050-0	22-8-32	3A3-84404-0	18-40	3C7-06921-0	6-51
348-65025-0	22-5-5	361-76055-1	7-15	3A3-84406-0	18-46	3C7-70050-1	17-13
348-65029-1	9-24	361-76055-1	22-8-8	3A3-84407-0	18-37	3C7-70113-0	17-17
348-65029-1	22-5-6	361-76055-1	22-9-8	3A3-84421-0	18-9	3C7-70155-0	17-14
348-65029-1	22-6-6	361-76073-0	7-23	3A3-84422-0	18-10	3C7-70177-1	17-12
348-65029-1	22-7-7	361-76080-0	7-50	3A3-84423-0	18-17	3C7-70199-0	17-16
348-66011-0	9-31	361-76080-0	22-9-11	3A3-84424-0	18-21	3C7-70211-1	17-4
348-66012-0	9-26-1	361-76082-0	7-51	3A3-84425-0	18-23	3C7-70217-0	17-5
348-66013-0	9-26-2	361-76082-0	22-9-12	3A3-84426-0	18-22	3C7-70220-1	17-2
348-66014-0	22-10-6	361-76110-1	19-7	3A3-84429-0	18-29	3C7-70224-1	17-3
348-66211-0	14-16	361-76300-0	22-9-1	3A3-84431-0	18-11	3C7-72180-3	16-10
348B64107-1	10-23-1	361-83728-0	1-78	3A3-84432-0	18-3	3C7-72182-2	5-39
348B64108-1	10-23-8	361-83728-0	22-11-10	3A3-84435-0	18-45	3C7-76142-1	6-49
348Q61411-2	11-20	361-83857-0	15-24-2	3A3-84442-0	18-13	3C8-62104-2	11-80
348Q62010-1	11-45	361-83880-3	15-1	3A3-84451-0	18-39	3C8-62107-0	11-82
348Q87314-0	22-10-1	361-84414-0	18-47	3A3-84452-0	18-42	3C8-62421-1	11-71
349-62126-0	11-17	361-84415-0	18-48	3AA-62106-0	11-78	3C8-64231-0	10-25

3C8-66308-0	3-17	9101E3-5612	11-24	930103-0500	6-17	941303-0600	15-8
3C8-66308-0	6-33	9101E3-5620	8-6	930103-0500	7-31	941303-0600	22-8-12
3C8-66308-0	6-43	9101E3-5625	8-19	930103-0500	16-6	941303-0600	22-9-9
3C8-66308-0	13-15	9101E3-5652	9-25	930103-0500	18-30	941303-0800	5-28
3C8-67146-0	13-11	9101E3-5652	22-5-8	930103-0500	20-5	941303-0800	7-10
3C8-72100-1	21-1	9101E3-5675	12-5	930103-0500	22-8-15	941303-0800	22-8-6
3C8-72181-0	6-30	9101E3-5820	8-21	930103-0500	22-9-30	941303-0800	22-9-6
3E0-70270-0	17-15	9101E3-5820	11-72	930103-0600	1-51	941322-0800	5-14
3E0-72522-0	20-7-1	9101E3-5825	12-22	930103-0600	1-81	941403-1000	1-59
3E0-72524-0	20-23	9101E3-5825	22-11-21	930103-0600	3-12	941403-1000	3-18
3E0-72529-0	20-17	9101E3-5830	10-11	930103-0600	6-35	941403-1000	12-18
3E0-72644-0	20-7-2	9101E3-5840	9-34	930103-0600	6-40	941403-1400	13-12
3E0-72648-0	20-8-1	9101E3-5840	22-10-3	930103-0600	7-14	945003-4000	11-59
3E0-72649-0	20-8-2	9101E3-6835	13-4	930103-0600	7-18	945103-2500	11-22
3F3-06920-0	6-46	9101F4-0616	3-48	930103-0600	7-38	945107-3000	2-18
3F3-76217-0	19-2-1	9101F4-0618	14-14	930103-0600	11-7	945303-0500	5-7
3F3-76218-0	19-2-2	9101F4-0620	1-57	930103-0600	15-7	945303-0600	5-37
3F3-76219-0	19-2-3	9101F4-0625	5-18	930103-0600	18-7	945303-0600	18-25
3F3-84908-0	15-23	9101F4-0625	5-29	930103-0600	22-8-11	945303-0800	14-4
3G2-06021-1	6-10	9101F4-0625	13-22	930103-0600	22-9-10	951403-0310	12-13
3G2-06022-0	6-7	9101F4-0630	13-34	930103-0600	22-11-11	951403-0312	7-41
3G2-76060-0	7-28	9101F4-0630	22-11-7	930103-0800	3-43	951403-0312	9-33
3G2-76060-0	22-8-13	9101F4-0830	5-13	930103-0800	5-16	951403-0316	22-8-34
3G2-76060-0	22-9-28	9101F4-0830	5-27	930103-0800	7-9	951403-0316	5-11
3G2-76142-0	7-29	9101F4-5620	1-25	930103-0800	8-8	951403-0316	9-27
3GF-70250-0	17-10	9101F4-5630	1-20	930103-0800	11-75	951403-0414	12-24
3GF-70281-0	17-9	9101F4-5630	3-10	930103-0800	22-8-5	951403-0414	22-11-18
3H6B01031-0	1-18	910203-0640	8-13	930103-0800	22-9-5	951403-0640	11-70
3H8-62415-0	11-19	910403-0518	15-10	930103-1000	11-63	951407-0306	2-15
3M3Q63005-1	12-2	9106E3-0808	8-15	930121-0800	1-35	951503-0212	11-30
3M4-76084-0	7-53	910903-6512	14-9	930203-0400	20-21	951503-0325	10-29
3M4-76084-0	22-9-36	910903-6616	13-29	930203-0400	20-27	951603-0800	1-48
3N5-84331-0	19-8	910903-6616	22-8-23	930203-0500	20-12	951603-0800	1-80
3N5-84333-0	19-9	910903-6616	22-9-16	930222-0300	3-32	951603-0800	22-11-13
3N5-84336-0	19-10	915321-0620	3-11	930403-0400	7-43	9601-0-6007	10-7
3N5-84465-0	19-11	915321-0655	3-1	930403-0400	9-12	965002-1605	14-12
3P0-66233-0	8-5	915324-0825	1-33	930403-0400	22-8-36	9701-1-1015	1-16
3P0-66311-0	11-31	915324-0825	1-52	930403-0600	12-6	98AB-50-160	3-35
3P0-83857-0	15-24-1	916103-0885	11-73	930403-0800	1-56	98AB-50-210	3-37
3R0-66308-0	11-28	916124-0840	1-7	930403-0800	1-72	98AB-50-270	3-36
3R0-66308-0	11-38	916129-0850	1-6	930403-1000	11-50	98AB-701600	17-7
3R0-66332-0	11-41-1	9161E3-0885	8-4-1	930403-1000	14-7	98AB-70-700	17-6
3T5-01133-0	1-28	9161E3-0885	8-4-2	931121-1600	6-19	98AL-40-230	1-26
3T5B64525-0	10-23-5	9161F4-0835	1-8	940103-0400	5-35		
3T5B64527-0	10-23-6	9161F9-0845	1-14	940103-0500	16-7		
3T5B64529-0	10-23-7	921503-0315	19-4	940103-0600	1-58		
3V1-63035-1	12-14	921503-0406	18-16	940103-0600	13-23		
3V1-63036-0	12-16	921503-0408	3-23	940103-0600	13-35		
3V1-63077-0	12-15	921503-0440	9-11	940103-0600	22-11-8		
910103-0525	18-31	921503-0510	18-38	940103-0800	1-53		
910103-0612	13-30	921503-0520	1-36	940103-0800	3-44		
910103-0612	22-8-27	921503-0525	7-30	940103-0800	11-35		
910103-0612	22-9-20	921503-0525	22-8-14	940103-0800	11-74		
910103-0616	1-22	921503-0525	22-9-29	940103-0800	12-26		
910103-0618	7-12	921503-0530	6-16	940103-0800	18-12		
910103-0618	7-16	921503-0616	3-15	940103-0800	22-11-14		
910103-0618	22-8-10	921503-5508	3-50	940113-0600	14-15		
910103-0618	22-9-27	921503-5612	13-27	940121-0800	1-9		
910103-0620	7-34	921503-6408	7-39	940121-0800	1-34		
910103-0620	22-8-19	921503-6408	22-8-37	940121-0800	5-15		
910103-0620	22-9-34	921503-6640	3-34	9401E3-0600	11-8		
910103-0625	6-32	921521-0406	4-14	9401E3-0600	11-9		
910103-0645	7-24	921521-6406	6-13	9401E3-1000	11-60		
910103-0645	22-8-21	921521-6408	6-14	941303-0400	20-22		
910103-0645	22-9-14	921521-6510	6-15	941303-0400	20-28		
910103-0830	7-7	921521-6522	6-11	941303-0500	7-32		
910103-0830	22-8-3	921521-6528	6-9	941303-0500	15-11		
910103-0830	22-9-3	921521-7412	3-6	941303-0500	16-8		
910103-5618	10-4	9215E3-0612	15-17	941303-0500	20-6		
910103-5620	6-38	921603-0512	18-20	941303-0500	20-13		
910103-5620	11-4	921603-0516	16-5	941303-0500	22-8-16		
910103-6612	1-31	921603-0518	18-18	941303-0500	22-9-31		
910103-6612	13-14	921722-0306	3-31	941303-0600	1-50		
910103-6616	15-13	921803-0525	12-8	941303-0600	3-13		
910103-6625	6-42	922503-6412	4-6	941303-0600	5-19		
910103-6820	15-15	922503-6412	22-3-5	941303-0600	5-30		
910121-0840	1-69	922521-6510	6-26	941303-0600	6-34		
910121-6620	6-4	922521-6510	6-48	941303-0600	6-39		
910121-6625	5-32	9225F2-6528	3-26	941303-0600	7-13		
910121-7620	3-8	930103-0500	1-37	941303-0600	7-17		
9101E3-0625	12-17	930103-0500	1-45	941303-0600	7-25		
9101E3-0830	11-43	930103-0500	1-66	941303-0600	7-37		
9101E3-5610	11-1	930103-0500	1-77	941303-0600	8-14		





**TOHATSU CORPORATION**

**Address : 5-4,3-chome,Azusawa,Itabashi-ku,  
TOKYO,174-0051 JAPAN**

**Phone : TOKYO (03)3966-3117**

**FAX : TOKYO (03)3966-0090**

**Website : [www.tohatsu.co.jp](http://www.tohatsu.co.jp)**

**2013  
PARTS CATALOG  
M 40C**

**Serial Number 000001AC~**